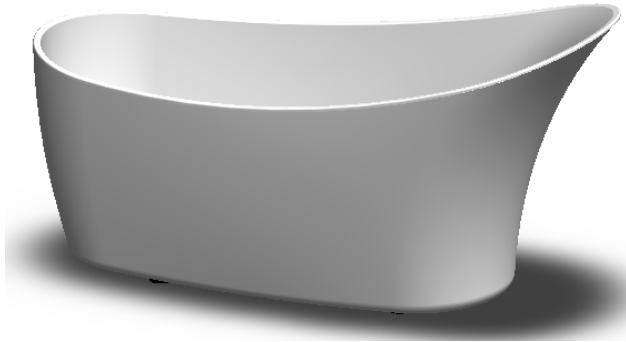


Installation Procedure for One Piece Freestanding Bathtubs



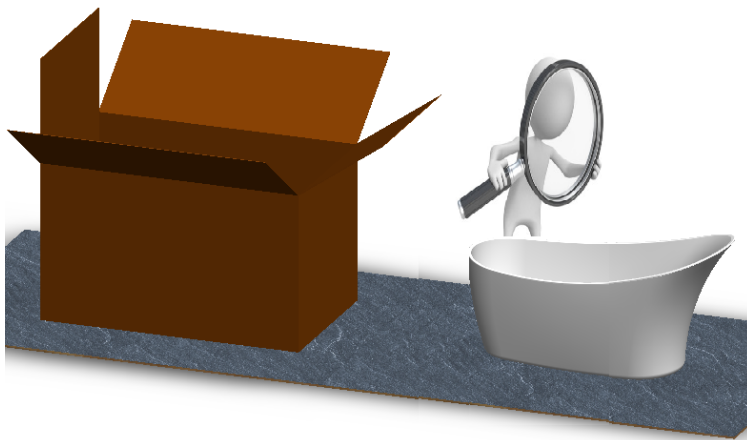
Serial Number: _____

Model Name: _____

Date of Manufacture: _____

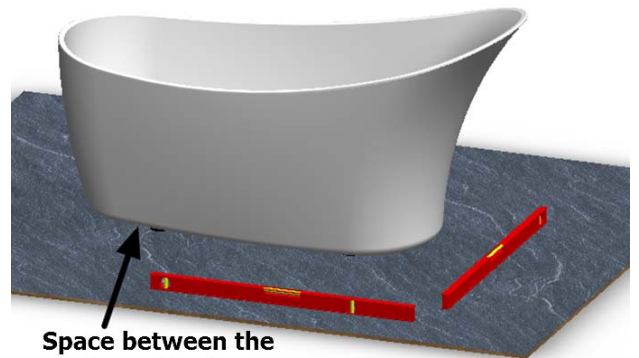
- For Warranty, please refer to our website: <http://www.oceania-attitude.com>
- The structure supporting your bathtub must hold a minimum of 1200 pounds (545 kg).

1. Unwrap and inspect the product.



2. Place the bathtub in its final position. Adjust the legs so that the bathtub rests on its 4 legs, the skirt not touching the ground.

Note : For best results, install the bathtub on a perfectly leveled floor. If the floor is not leveled, it is the installer's responsibility to adjust using the leveling legs, to make sure the tub will drain correctly.



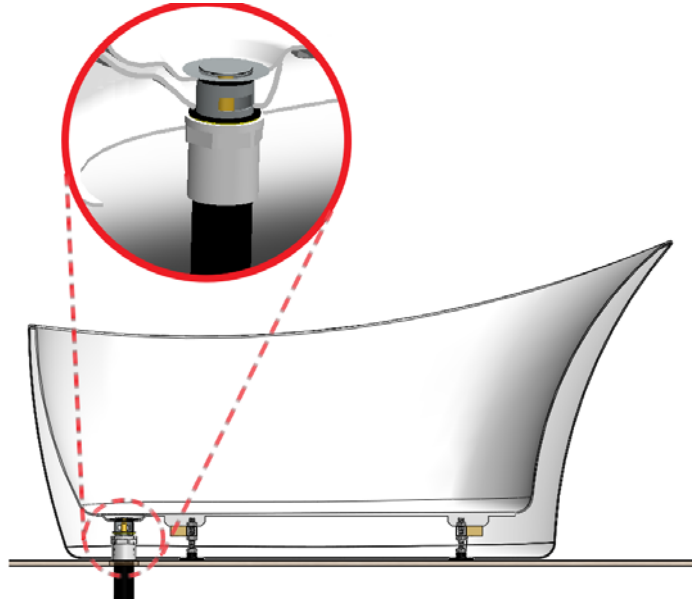
Space between the skirt and the floor

Regular Installation without ITD35 (for installation with ITD35, go to step 7)

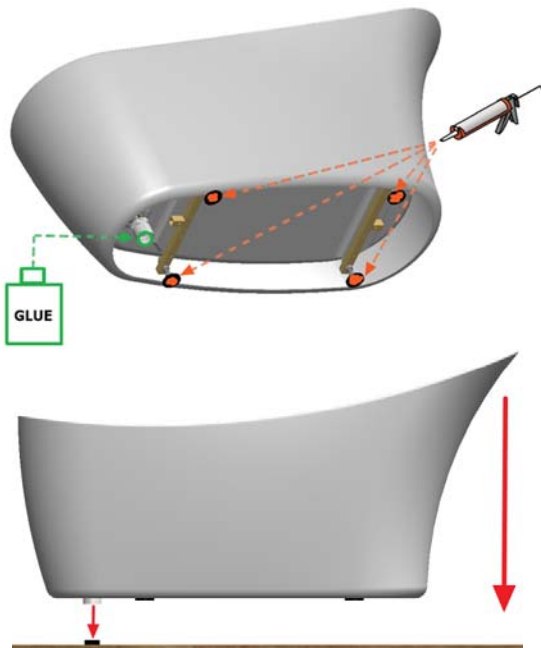
3. If necessary, prepare the plumbing on the floor to obtain the correct height for the drain.



4. Make a test without applying glue, to ensure the correct height of the plumbing.



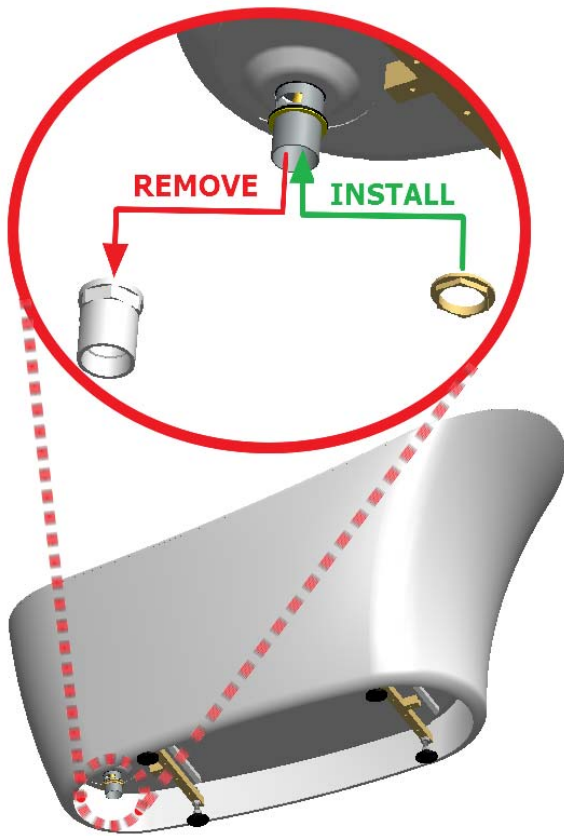
5. Apply silicone under the 4 legs of the bath, and the appropriate glue on the connecting joint (PVC). Install the bath in its final position.



6. Let cure completely before use.

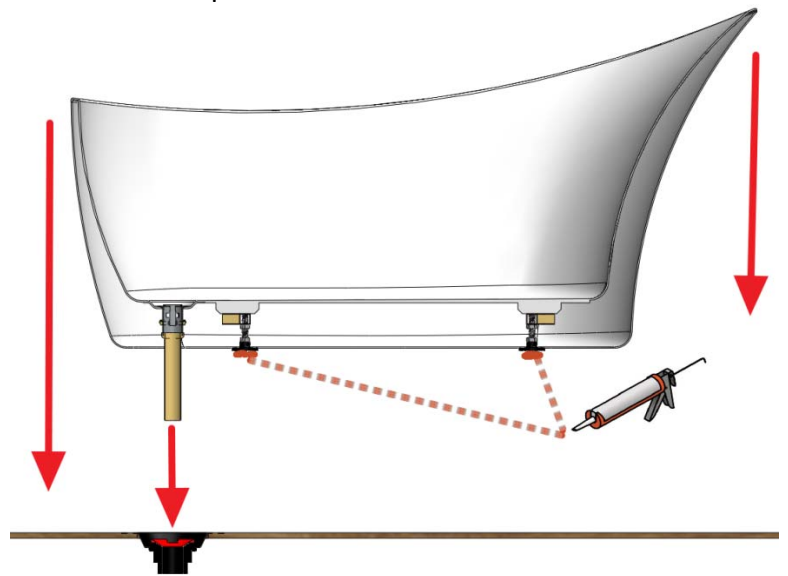
Installation using ITD35

7. Remove the PVC connector and replace with the brass ring.



8. Install the ITD35 following the installation instructions provided with the floor drain.

9. Apply silicone under the 4 legs of the bathtub. Install the bath in its final position.



10. Let cure completely before use.