

City 60 (left hand drain)

Series : **Alcove**

Nominal dimensions: **60" x 32" x 18" [152.4 cm x 81.3 cm x 45.7 cm]**

Seats : **1**

Product code: **C160L**

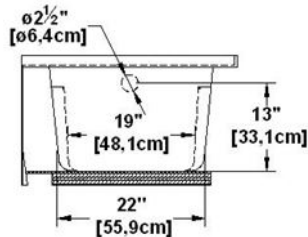
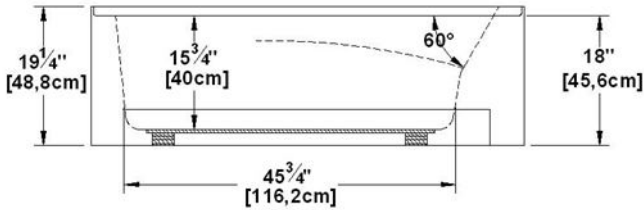
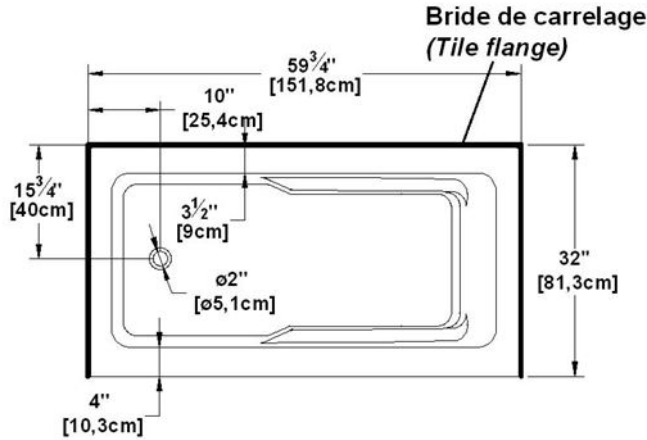
Draft revision : **2017121314300**

Lumbar support : yes

Arm rests : yes

Low-profile available : no

Draft and specs

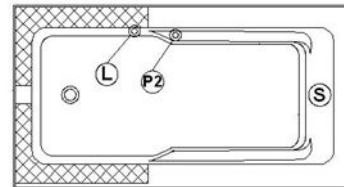


Specifications
Capacity: 33 IMP Gal. / 43 US Gal. / 150 liters
AeroMassage™: 43 Easy Clean™ air jets
Super AeroMassage™: AeroMassage™ + 12 Easy Clean™ air jets
Comfort Air™: 43 Easy Clean™ air jets
Characteristics: Textured floor, integrated front skirt

Remarks
All measures have a precision of ± 1/4" (0,63cm)
If a measure is present on one side only, part is symmetrical
*internal dimensions taken at 4" (10cm) from bath bottom
*capacity is measured by filling the bath to 1-1/2" under the overflow

Available models
Soaker <input checked="" type="checkbox"/>
Comfort Air ^{MC} <input checked="" type="checkbox"/>
AeroMassage ^{MC} <input checked="" type="checkbox"/>
Super AeroMassage ^{MC} <input checked="" type="checkbox"/>
Nano Sens ^{MC} <input type="checkbox"/>

Available recommended options
Front skirt: Integrated
Recommended drain: WOCO14 (chrome finish)
Tile flanges: integrated
Floating remote control: Available
Linear overflow: BDW114 (chrome finish)



Additional(s) note(s)

Integrated acrylic tile flanges. If system, delivered with keypad not installed. Only one handle can be factory installed.

Legend	
(S) Blower	(L) Chromatherapy light
(P1) Pump	(P2) Grab bar
(C) Keypad	(X) Recommended faucets drilling location*
Deck cut-out line - - - - -	

*It is possible to install the faucets elsewhere on the product. The installer must verify that there are no piping or wires before drilling.

IMPORTANT NOTE: Specifications, dimensions and models are subject to change.

Visit our website <http://www.oceania-attitude.com> to access up-to-date dimensions and information. In all cases, information on the website is the most up-to-date.

Head office

591, avenue des Entreprises
Theftord Mines, Quebec
CANADA G6H 4B2

Contact numbers

Phone : 1-877-332-4224
Fax : 1-866-460-4334

Internet

Web : <http://www.oceania-attitude.com>
Email : info@bainsoceania.com