

Sublime 66

Series : **Deck mount**

Nominal dimensions: **66" x 34" x 21" [167.6 cm x 86.4 cm x 53.3 cm]**

Seats : **1**

Product code: **SU6634**

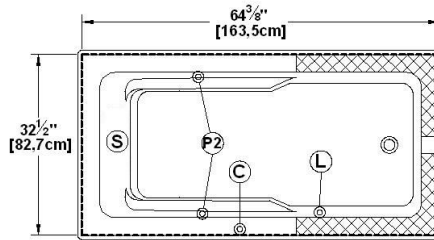
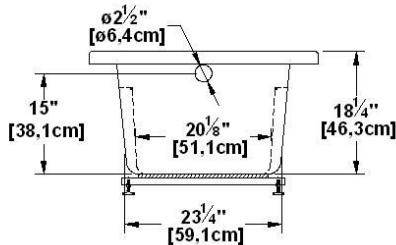
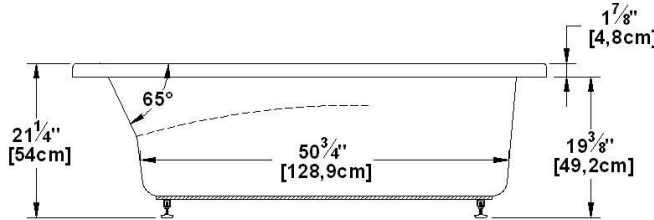
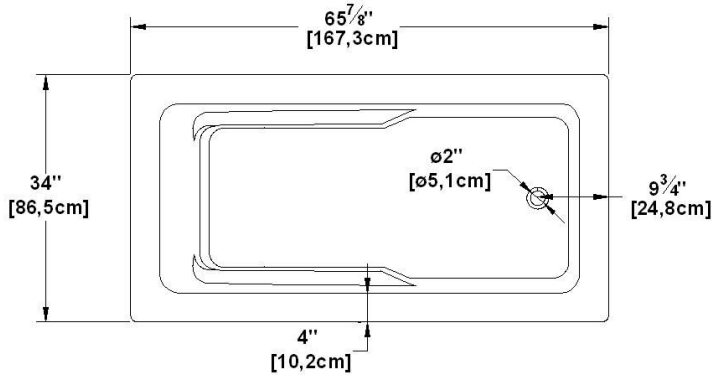
Draft revision : **2017032014000**

Lumbar support : yes

Arm rests : yes

Low-profile available : yes

Draft and specs



| Specifications | |
|--------------------|---|
| Capacity | 55 IMP Gal. / 71.7 US Gal. / 250 liters |
| AeroMassage™ | 48 Easy Clean™ air jets |
| Super AeroMassage™ | AeroMassage™ + 12 Easy Clean™ air jets |
| Comfort Air™ | 48 Easy Clean™ air jets |
| Characteristics: | |

| Remarks |
|---|
| All measures have a precision of ± 1/4" (0,63cm) If a measure is present on one side only, part is symmetrical *internal dimensions taken at 4" (10cm) from bath bottom *capacity is measured by filling the bath to 1-1/2" under the overflow |

| Available models | |
|--------------------|-------------------------------------|
| Soaker | <input checked="" type="checkbox"/> |
| Comfort Air™ | <input checked="" type="checkbox"/> |
| AeroMassage™ | <input checked="" type="checkbox"/> |
| Super AeroMassage™ | <input checked="" type="checkbox"/> |

| Available recommended options | |
|-------------------------------|------------------------|
| Front skirt: | JA66 |
| Recommended drain: | WOCO14 (chrome finish) |
| Tile flanges: | available |
| Floating remote control: | Available |
| Linear overflow: | BDW114 (chrome finish) |

WARNING : If this bath is multiple ordered nested, its height will be about 1-1/2" (1 inch and a half) lower and will not have adjustable feet.

Additional(s) note(s)

Keypad supplied but not installed when ordered with tile flanges or remote control.

| Legend | |
|--|-----------------------------|
| Blower | Chromotherapy light |
| Grab bar | Keypad |
| Recommended faucets drilling location* | Deck cut-out line - - - - - |

*It is possible to install the faucets elsewhere on the product. The installer must verify that there are no piping or wires before drilling.

IMPORTANT NOTE: Specifications, dimensions and models are subject to change.

Visit our website <http://www.oceania-attitude.com> to access up-to-date dimensions and information. In all cases, information on the website is the most up-to-date.

Head office

591, avenue des Entreprises
Theftord Mines, Quebec
CANADA G6H 4B2

Contact numbers

Phone : 1-877-332-4224
Fax : 1-866-460-4334

Internet

Web : <http://www.oceania-attitude.com>
Email : info@bainsoceania.com