

Sophia 72

Series : **Deck mount**

Nominal dimensions: **72" x 41.5" x 23" [182.9 cm x 105.4 cm x 58.4 cm]**

Seats : **2**

Product code: **S072**

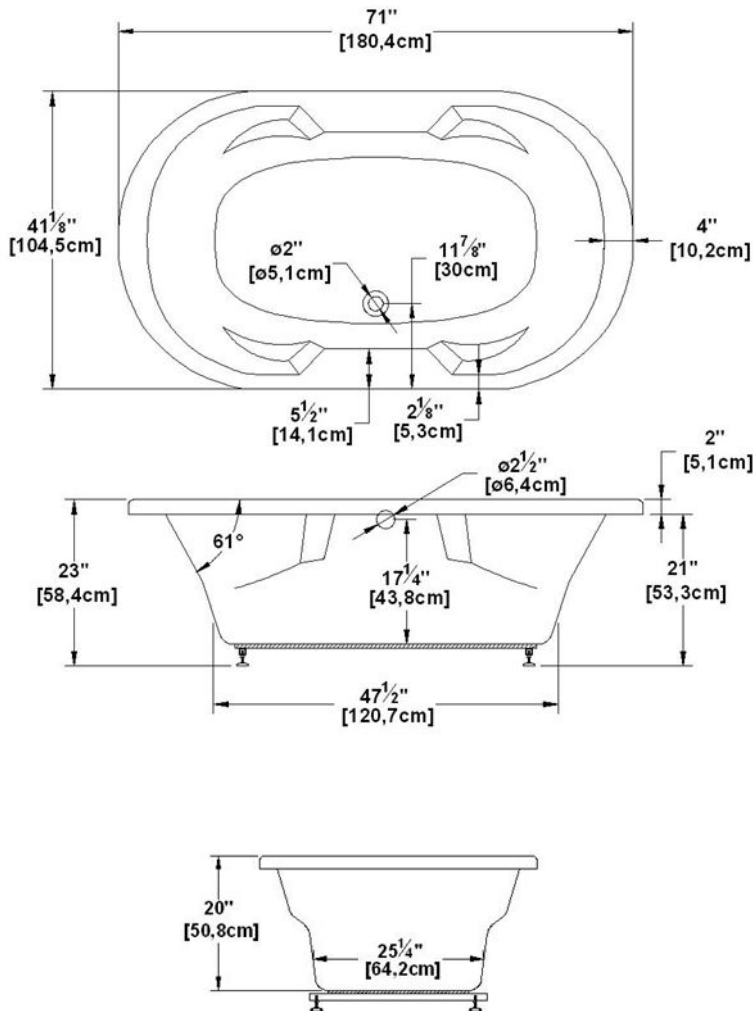
Draft revision : **2017032014000**

Lumbar support : yes

Arm rests : yes

Low-profile available : no

Draft and specs



Specifications

Capacity: **51 IMP Gal. / 66.5 US Gal. / 231.8 liters**

AeroMassage™: **46 Easy Clean™ air jets**

Super AeroMassage™: **AeroMassage™ + 12 Easy Clean™ air jets**

Comfort Air™: **46 Easy Clean™ air jets**

Characteristics:

Remarks

All measures have a precision of ± 1/4" (0,63cm)

If a measure is present on one side only, part is symmetrical

*internal dimensions taken at 4" (10cm) from bath bottom

*capacity is measured by filling the bath to 1-1/2" under the overflow

Available models

Soaker	<input checked="" type="checkbox"/>
Comfort Air ^{MC}	<input checked="" type="checkbox"/>
AeroMassage ^{MC}	<input checked="" type="checkbox"/>
Super AeroMassage ^{MC}	<input checked="" type="checkbox"/>
Nano Sens ^{MC}	<input type="checkbox"/>

Available recommended options

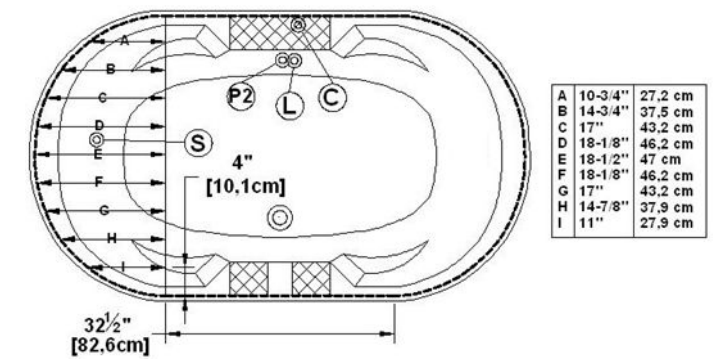
Front skirt:

Recommended drain: WOCO14 (chrome finish)

Tile flanges: unavailable

Floating remote control: Available

Linear overflow: BDW114 (chrome finish)



Additional(s) note(s)

Keypad not installed when ordered with remote control. Only one handle can be factory installed.

**It is possible to install the faucets elsewhere on the product. The installer must verify that there are no piping or wires before drilling.*

IMPORTANT NOTE: Specifications, dimensions and models are subject to change.
Visit our website <http://www.oceania-attitude.com> to access up-to-date dimensions and information. In all cases, information on the website is the most up-to-date.

Head office
591, avenue des Entreprises
Theftord Mines, Quebec
CANADA G6H 4B2

Contact numbers
Phone : 1-877-332-4224
Fax : 1-866-460-4334

Internet
Web : <http://www.oceania-attitude.com>
Email : info@bainsoceania.com