

Sleek shower seat

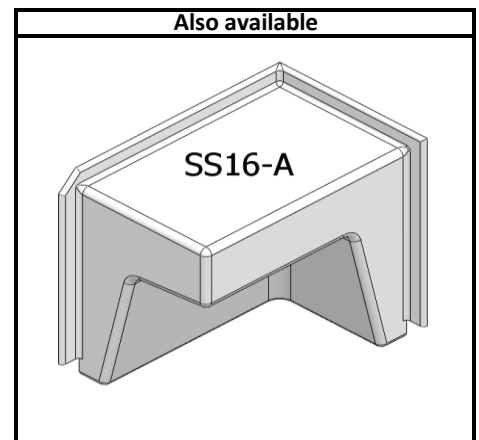
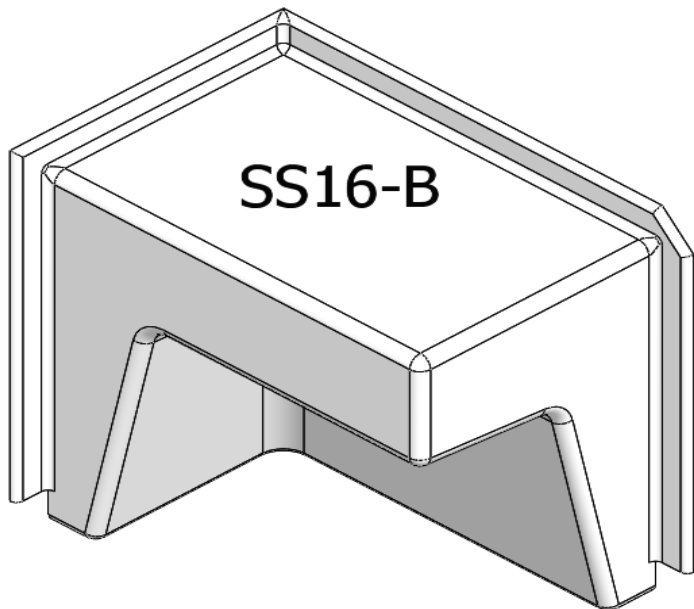
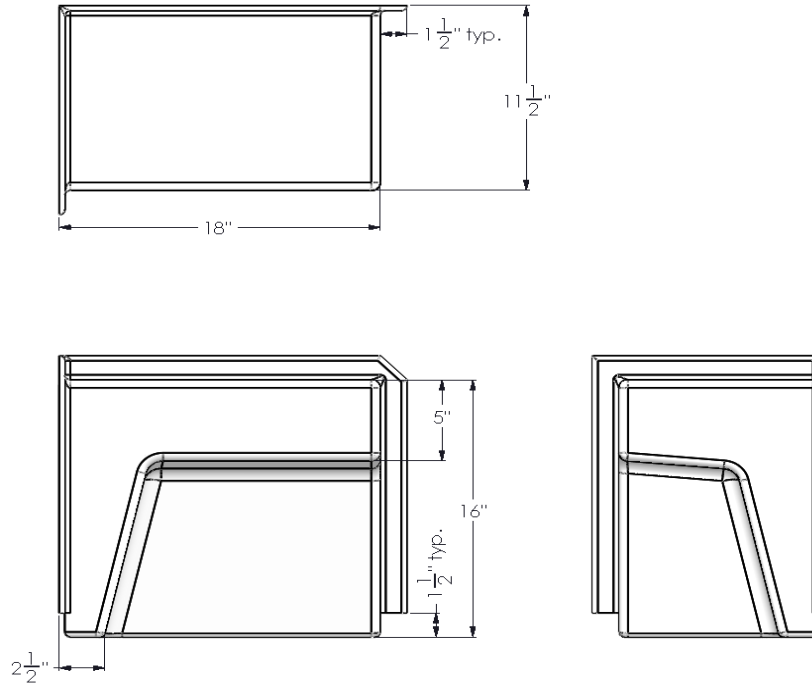
Product code : **SS16-B**

Draft revision : **20170322133500**

External dimensions : **18" x 11,5" x 16" [45,7 cm x 29,2 cm x 40,6 cm]**

Material : **acrylic**

Draft and specs



Additional note(s) :

Integrated acrylic tile flanges. All measurements have a precision of $\pm 1/4"$ (0,63cm). If a measurement is present on one side only, part is symmetrical.

IMPORTANT NOTE :

Specifications, dimensions and models are subject to change.
Visit our website <http://www.oceania-attitude.com> to access up-to-date dimensions and informations. In all cases, information on the website is the most up-to-date.

Head office

591, avenue des Entreprises
Thetford Mines, Quebec
CANADA G6H 4B2

Contact numbers

Phone : 1-877-332-4224
Fax : 1-866-460-4334

Internet

Web : <http://www.oceania-attitude.com>
Email : info@oceaniabaths.com