

Base 60x30 (right hand drain)

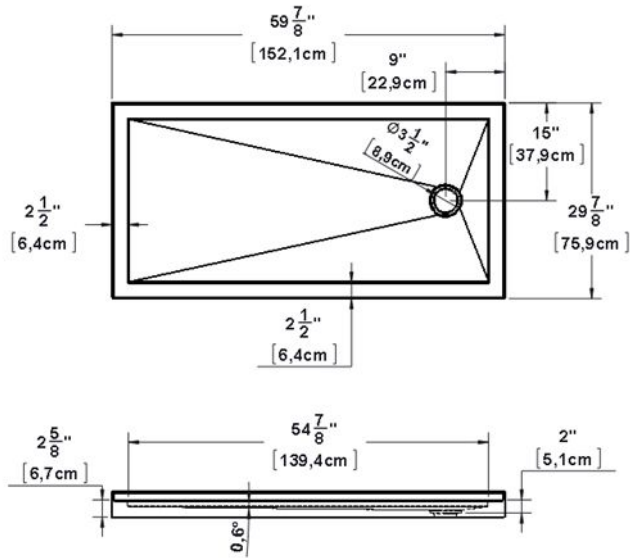
Product code: **BT60R30**

Nominal dimensions: **60" x 30" x 2.625" [152.4 cm x 76.2 cm x 6.7 cm]**

Material: **acrylic**

Draft revision : **20181014092000**

Draft and specs



Specifications

Textured floor: **yes**
Footrest: **no**
Characteristics: **integrated acrylic flang**

Remarks

All measures have a precision of $\pm 1/4"$ (0,63cm)
If a measure is present on one side only, part is symmetrical

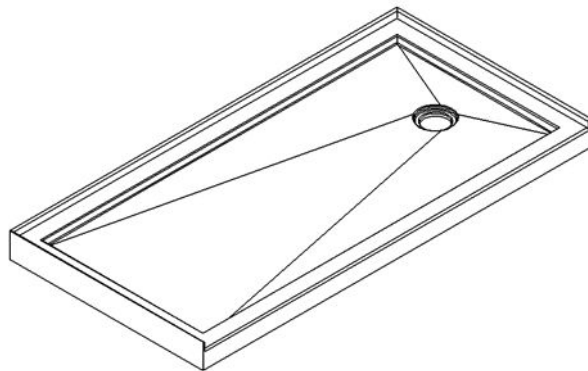


Available options

Shower seat: **SS16-A, SS16-B**
Shower door : **EKO60 PBS60**

Additional note(s):

IMPORTANT NOTE :
Specifications, dimensions and models are subject to change.
Visit our website <http://www.oceania-attitude.com> to access up-to-date dimensions and informations. In all cases, information on the website is the most up-to-date.



Head office

591, avenue des Entreprises
Thetford Mines, Quebec
CANADA G6H 4B2

Contact numbers

Phone : 1-877-332-4224
Fax : 1-866-460-4334

Internet

Web : <http://www.oceania-attitude.com>
Email : info@bainsoceania.com