

Urbania 6031 L-SF - Left hand drain, 1 Skirt (Front)

Series : **Alcove**

Nominal dimensions: **60" x 31" x 17.5" [152.4 cm x 78.7 cm x 44.5 cm]**

Seats : **1**

Product code: **UR6031L-SF**

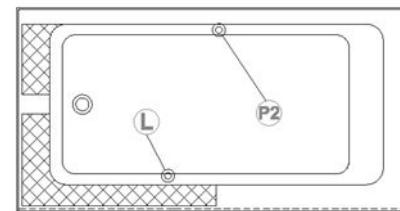
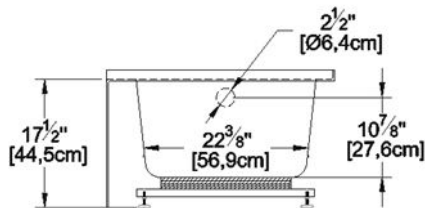
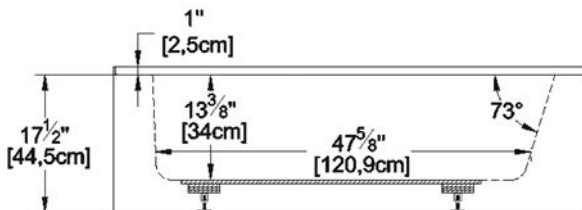
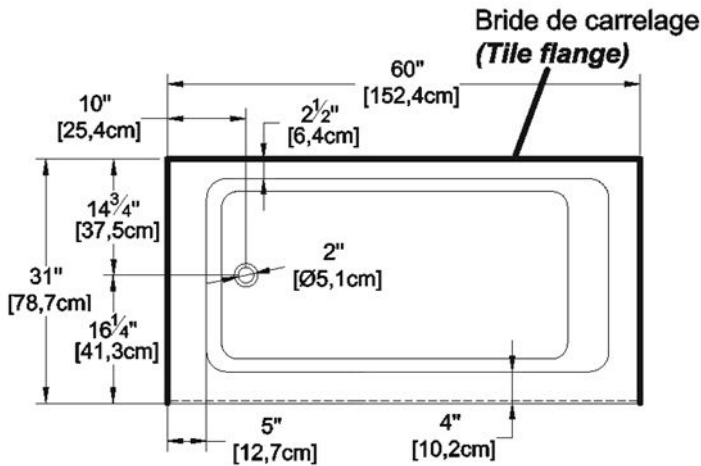
Draft revision : **2017082511500**

Lumbar support : no

Arm rests : no

Low-profile available : no

Draft and specs



Additional(s) note(s)

Integrated acrylic tile flanges. Available in white only. Only one handle can be factory installed.

Specifications
Capacity: 28 IMP Gal. / 36.5 US Gal. / 127.2 liters
AeroMassage™: unavailable
Super AeroMassage™: unavailable
Comfort Air™: unavailable
Characteristics: 1 integrated skirt

Remarks
All measures have a precision of ± 1/4" (0,63cm)
If a measure is present on one side only, part is symmetrical
*internal dimensions taken at 4" (10cm) from bath bottom
*capacity is measured by filling the bath to 1-1/2" under the overflow

Available models
Soaker <input checked="" type="checkbox"/>
Comfort Air ^{MC} <input type="checkbox"/>
AeroMassage ^{MC} <input type="checkbox"/>
Super AeroMassage ^{MC} <input type="checkbox"/>
Nano Sens ^{MC} <input type="checkbox"/>

Available recommended options
Front skirt: Integrated
Recommended drain: WOCO14 (chrome finish)
Tile flanges: Included on sides without skirt
Floating remote control: not available
Linear overflow: BDW114 (chrome finish)

Legend	
S Blower	L Chromotherapy light
P1 Pump	P2 Grab bar
C Keypad	
Recommended faucets drilling location*	
	Deck cut-out line - - - - -

*It is possible to install the faucets elsewhere on the product. The installer must verify that there are no piping or wires before drilling.

IMPORTANT NOTE: Specifications, dimensions and models are subject to change.

Visit our website <http://www.oceania-attitude.com> to access up-to-date dimensions and information. In all cases, information on the website is the most up-to-date.

Head office

591, avenue des Entreprises
Theftord Mines, Quebec
CANADA G6H 4B2

Contact numbers

Phone : 1-877-332-4224
Fax : 1-866-460-4334

Internet

Web : <http://www.oceania-attitude.com>
Email : info@bainsoceania.com