

Urbania 6031 R-SFR - Right hand drain, 2 Skirts (Front and Right)

Series : **Freestanding**

Nominal dimensions: **60" x 31" x 17.5" [152.4 cm x 78.7 cm x 44.5 cm]**

Seats : **1**

Product code: **UR6031R-SFR**

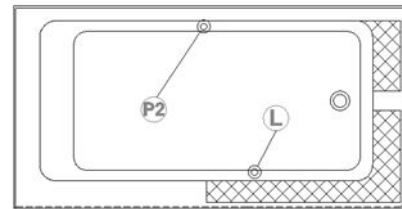
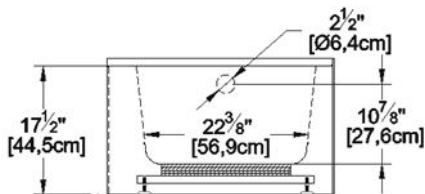
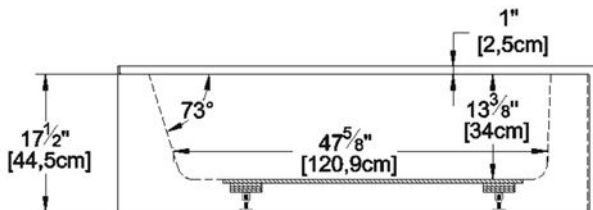
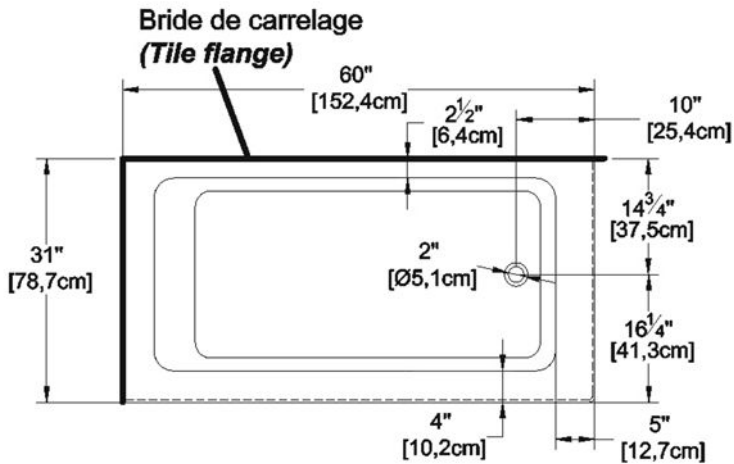
Draft revision : **2017082511500**

Lumbar support : no

Arm rests : no

Low-profile available : no

Draft and specs



Specifications
Capacity: 28 IMP Gal. / 36.5 US Gal. / 127.2 liters
AeroMassage™: unavailable
Super AeroMassage™: unavailable
Comfort Air™: unavailable
Characteristics: 2 integrated skirts

Remarks
All measures have a precision of ± 1/4" (0,63cm)
If a measure is present on one side only, part is symmetrical
*internal dimensions taken at 4" (10cm) from bath bottom
*capacity is measured by filling the bath to 1-1/2" under the overflow

Available models
Soaker <input checked="" type="checkbox"/>
Comfort Air ^{MC} <input type="checkbox"/>
AeroMassage ^{MC} <input type="checkbox"/>
Super AeroMassage ^{MC} <input type="checkbox"/>
Nano Sens ^{MC} <input type="checkbox"/>

Available recommended options
Front skirt: Integrated
Recommended drain: WOCO14 (chrome finish)
Tile flanges: Included on sides without skirt
Floating remote control: not available
Linear overflow: BDW114 (chrome finish)

When ordered with a linear overflow (BDW), the installation panel option is mandatory.

Additional(s) note(s)

Integrated acrylic tile flanges. Available in white only. Only one handle can be factory installed.

Legend	
Blower	Chromotherapy light
Pump	Grab bar
Keypad	
Recommended faucets drilling location*	
Deck cut-out line - - - - -	

*It is possible to install the faucets elsewhere on the product. The installer must verify that there are no piping or wires before drilling.

IMPORTANT NOTE: Specifications, dimensions and models are subject to change.

Visit our website <http://www.oceania-attitude.com> to access up-to-date dimensions and information. In all cases, information on the website is the most up-to-date.

Head office

591, avenue des Entreprises
Theftord Mines, Quebec
CANADA G6H 4B2

Contact numbers

Phone : 1-877-332-4224
Fax : 1-866-460-4334

Internet

Web : <http://www.oceania-attitude.com>
Email : info@bainsoceania.com