

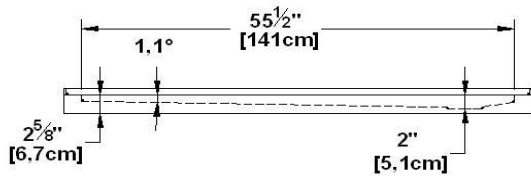
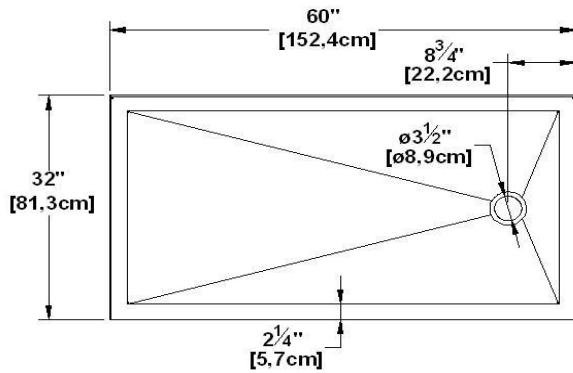
Base 60x32 (right hand drain) Product code : **BT60R32**

Draft revision : **20171002102000**

Nominal dimensions : **60" x 32" x 2,625" [152,4 cm x 81,3 cm x 6,7 cm]**

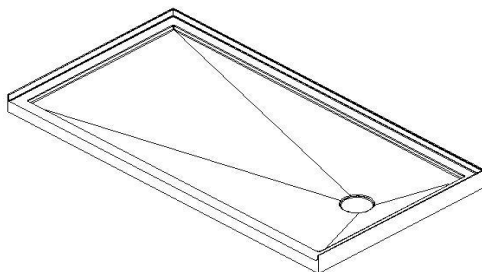
Material : **acrylic**

Draft and specs



Specifications
Textured floor : yes
Footrest : no
Characteristics : integrated acrylic flanges

Remarks
<i>All measures have a precision of ± 1/4" (0,63cm)</i>
<i>If a measure is present on one side only, part is symmetrical</i>



Available options
Shower seat : SS16-A, SS16-B
Shower door : EKO60 EKO60R32 PBSD60 PBSD60R32 PBSD60R232

Additional note(s) :



IMPORTANT NOTE :
Specifications, dimensions and models are subject to change. Visit our website http://www.oceania-attitude.com to access up-to-date dimensions and informations. In all cases, information on the website is the most up-to-date.

Head office

591, avenue des Entreprises
Thetford Mines, Quebec
CANADA G6H 4B2

Contact numbers

Phone : 1-877-332-4224
Fax : 1-866-460-4334

Internet

Web : <http://www.oceania-attitude.com>
Email : info@oceaniabaths.com