

City 66 (left hand drain)

Series : **Alcove**

Nominal dimensions: **66" x 34" x 20.5" [167.6 cm x 86.4 cm x 52.1 cm]**

Seats : **1**

Product code: **CI66L**

Draft revision : **2017121314300**

Lumbar support : **yes**

Arm rests : **yes**

Low-profile available : **no**

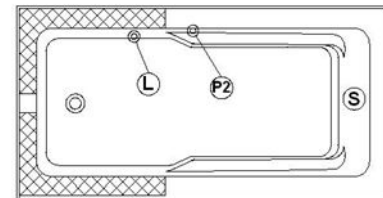
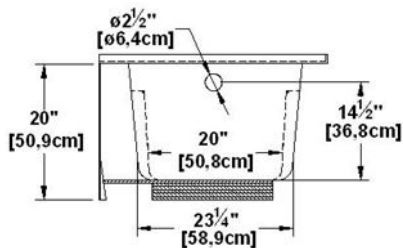
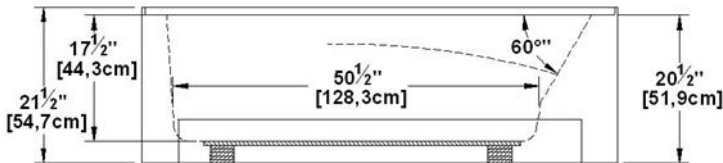
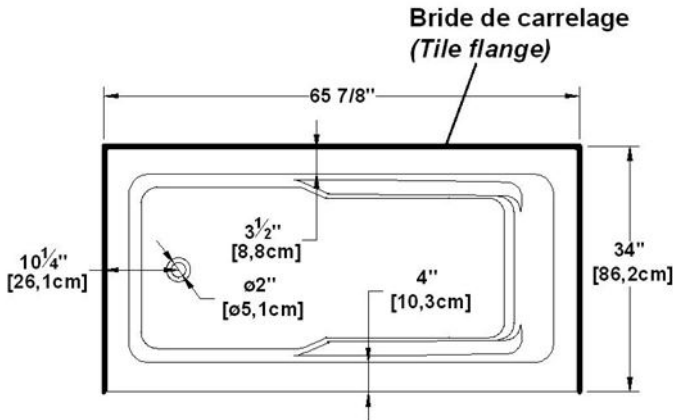
Draft and specs

Specifications
Capacity: 57 IMP Gal. / 74.3 US Gal. / 259.1 liters
AeroMassage™: 47 Easy Clean™ air jets
Super AeroMassage™: AeroMassage™ + 12 Easy Clean™ air jets
Comfort Air™: 47 Easy Clean™ air jets
Characteristics: Textured floor, integrated front skirt

Remarks
All measures have a precision of ± 1/4" (0,63cm)
If a measure is present on one side only, part is symmetrical
*internal dimensions taken at 4" (10cm) from bath bottom
*capacity is measured by filling the bath to 1-1/2" under the overflow

Available models
Soaker <input checked="" type="checkbox"/>
Comfort Air ^{MC} <input checked="" type="checkbox"/>
AeroMassage ^{MC} <input checked="" type="checkbox"/>
Super AeroMassage ^{MC} <input checked="" type="checkbox"/>
Nano Sens ^{MC} <input checked="" type="checkbox"/>

Available recommended options
Front skirt: Integrated
Recommended drain: WOCO14 (chrome finish)
Tile flanges: integrated
Floating remote control: Available
Linear overflow: BDW114 (chrome finish)



Legend	
(S) Blower	(L) Chromotherapy light
(P1) Pump	(P2) Grab bar
(C) Keypad	
Recommended faucets drilling location*	
	Deck cut-out line - - - - -

Additional(s) note(s)

Integrated acrylic tile flanges. If system, delivered with keypad not installed. Only one handle can be factory installed.

**It is possible to install the faucets elsewhere on the product. The installer must verify that there are no piping or wires before drilling.*

IMPORTANT NOTE: Specifications, dimensions and models are subject to change.

Visit our website <http://www.oceania-attitude.com> to access up-to-date dimensions and information. In all cases, information on the website is the most up-to-date.

Head office

591, avenue des Entreprises
Theftord Mines, Quebec
CANADA G6H 4B2

Contact numbers

Phone : 1-877-332-4224
Fax : 1-866-460-4334

Internet

Web : <http://www.oceania-attitude.com>
Email : info@bainsoceania.com