

**Urbania 6031 R-SF - Right hand drain, 1 Skirt (Front)**

Series : **Alcove**

Nominal dimensions: **60" x 31" x 17.5" [152.4 cm x 78.7 cm x 44.5 cm]**

Seats : **1**

Product code: **UR6031R-SF**

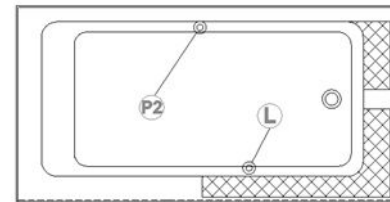
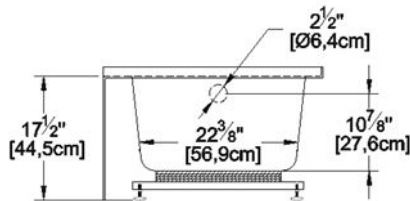
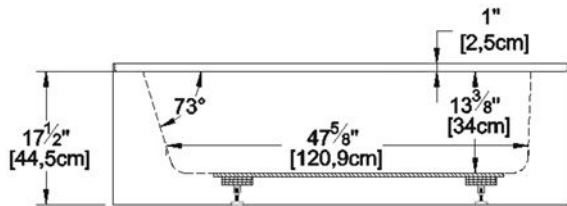
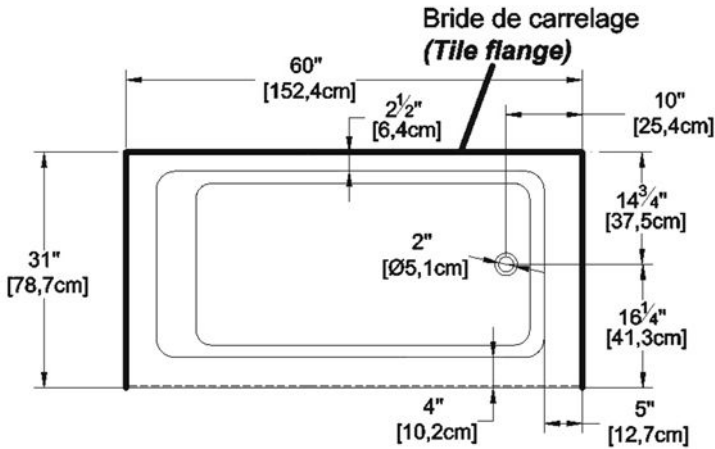
Draft revision : **2017082511500**

Lumbar support : no

Arm rests : no

Low-profile available : no

**Draft and specs**



**Additional(s) note(s)**

Integrated acrylic tile flanges. Available in white only. Only one handle can be factory installed.

**Specifications**

Capacity: **28 IMP Gal. / 36.5 US Gal. / 127.2 liters**  
 AeroMassage™: **unavailable**  
 Super AeroMassage™: **unavailable**  
 Comfort Air™: **unavailable**  
 Characteristics: **1 integrated skirt**

**Remarks**

All measures have a precision of ± 1/4" (0,63cm)  
 If a measure is present on one side only, part is symmetrical  
 \*internal dimensions taken at 4" (10cm) from bath bottom  
 \*capacity is measured by filling the bath to 1-1/2" under the overflow

**Available models**

Soaker   
 Comfort Air<sup>MC</sup>   
 AeroMassage<sup>MC</sup>   
 Super AeroMassage<sup>MC</sup>   
 Nano Sens<sup>MC</sup>

**Available recommended options**

Front skirt: Integrated  
 Recommended drain: WOCO14 (chrome finish)  
 Tile flanges: Included on sides without skirt  
 Floating remote control: not available  
 Linear overflow: BDW114 (chrome finish)

**Legend**

(S) Blower                      (L) Chromotherapy light  
 (P1) Pump                      (P2) Grab bar                      (C) Keypad  
 Recommended faucets drilling location\*  
 Deck cut-out line - - - - -

*\*It is possible to install the faucets elsewhere on the product. The installer must verify that there are no piping or wires before drilling.*

**IMPORTANT NOTE:** Specifications, dimensions and models are subject to change.  
 Visit our website <http://www.oceania-attitude.com> to access up-to-date dimensions and information. In all cases, information on the website is the most up-to-date.

Head office

591, avenue des Entreprises  
 Theftord Mines, Quebec  
 CANADA G6H 4B2

Contact numbers

Phone : 1-877-332-4224  
 Fax : 1-866-460-4334

Internet

Web : <http://www.oceania-attitude.com>  
 Email : [info@bainsoceania.com](mailto:info@bainsoceania.com)