

City 60 (right hand drain)

Series : **Alcove**

Nominal dimensions: **60" x 32" x 18" [152.4 cm x 81.3 cm x 45.7 cm]**

Seats : **1**

Product code: **CI60R**

Draft revision : **2023122109472**

Lumbar support : yes

Arm rests : yes

Low-profile available : no

Draft and specs

Specifications

Capacity: **33 IMP Gal. / 43 US Gal. / 150 liters**
 AeroMassage™: **43 Easy Clean™** air jets
 Super AeroMassage™: **unavailable**
 Comfort Air™: **43 Easy Clean™** air jets
 Characteristics: **Textured floor, integrated front skirt**

Remarks

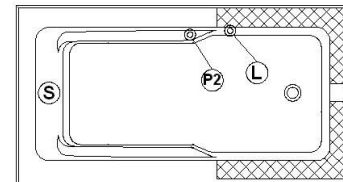
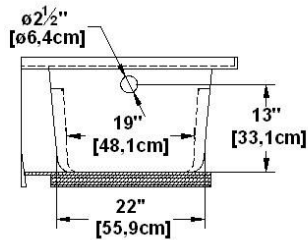
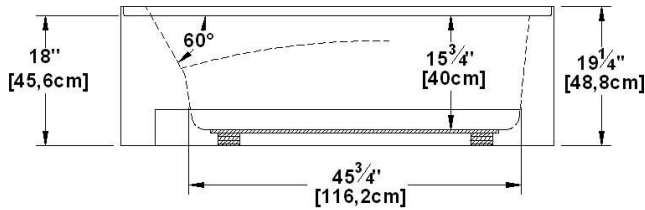
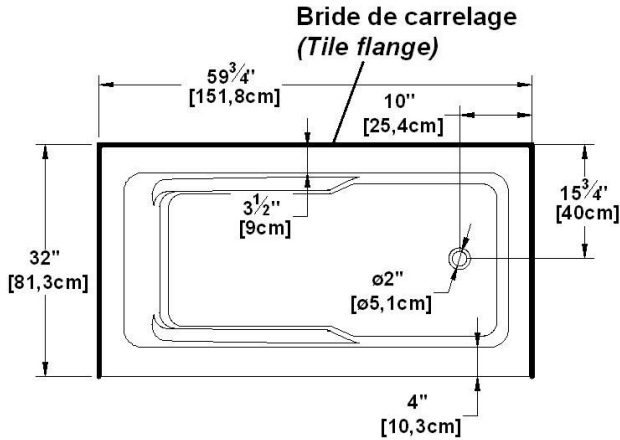
All measures have a precision of ± 1/4" (0,63cm)
 If a measure is present on one side only, part is symmetrical
 *internal dimensions taken at 4" (10cm) from bath bottom
 *capacity is measured by filling the bath to 1-1/2" under the overflow

Available models

- Soaker
- Comfort Air™
- AeroMassage™
- Super AeroMassage™

Available recommended options

- Front skirt: Integrated
- Recommended drain: WOCO14 (chrome finish)
- Tile flanges: integrated
- Floating remote control: Available
- Linear overflow: BDW114 (chrome finish)



Additional(s) note(s)

Integrated acrylic tile flanges.

Legend

- S** Blower
- L** Chromotherapy light
- P2** Grab bar
- C** Keypad



Recommended faucets drilling location*

Deck cut-out line - - - - -

**It is possible to install the faucets elsewhere on the product. The installer must verify that there are no piping or wires before drilling.*

IMPORTANT NOTE: Specifications, dimensions and models are subject to change.

Visit our website <http://www.oceania-attitude.com> to access up-to-date dimensions and information. In all cases, information on the website is the most up-to-date.

Head office

591, avenue des Entreprises
 Theftord Mines, Quebec
 CANADA G6H 4B2

Contact numbers

Phone : 1-877-332-4224
 Fax : 1-866-460-4334

Internet

Web : <http://www.oceania-attitude.com>
 Email : info@bainsoceania.com