

City 60 (left hand drain)

Series : **Alcove**

Nominal dimensions: **60" x 32" x 18" [152.4 cm x 81.3 cm x 45.7 cm]**

Seats : **1**

Product code: **CI60L**

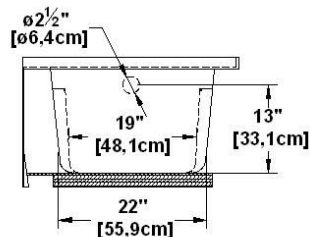
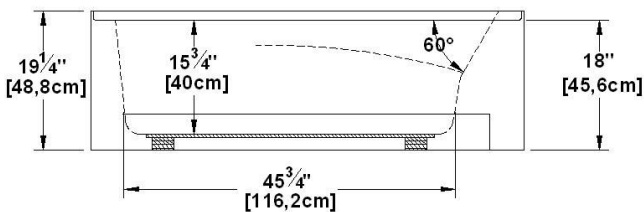
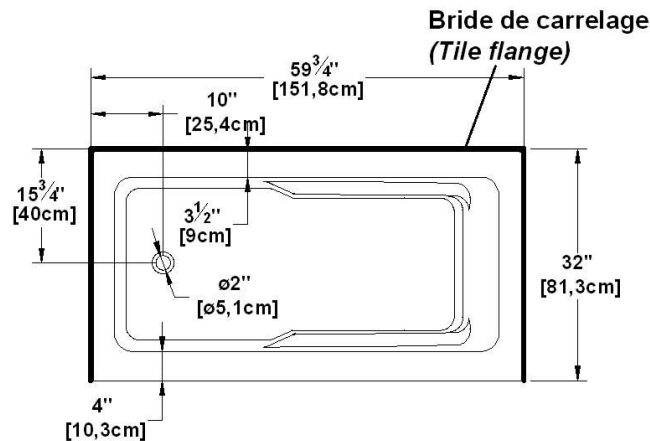
Draft revision : **2023122109464**

Lumbar support : yes

Arm rests : yes

Low-profile available : no

Draft and specs



Additional(s) note(s)

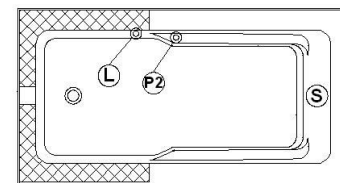
Integrated acrylic tile flanges.

Specifications
Capacity: 33 IMP Gal. / 43 US Gal. / 150 liters
AeroMassage™: 43 Easy Clean™ air jets
Super AeroMassage™: unavailable
Comfort Air™: 43 Easy Clean™ air jets
Characteristics: Textured floor, integrated front skirt

Remarks
All measures have a precision of ± 1/4" (0,63cm)
If a measure is present on one side only, part is symmetrical
*internal dimensions taken at 4" (10cm) from bath bottom
*capacity is measured by filling the bath to 1-1/2" under the overflow

Available models
Soaker <input checked="" type="checkbox"/>
Comfort Air™ <input checked="" type="checkbox"/>
AeroMassage™ <input checked="" type="checkbox"/>
Super AeroMassage™ <input type="checkbox"/>

Available recommended options
Front skirt: Integrated
Recommended drain: WOCO14 (chrome finish)
Tile flanges: integrated
Floating remote control: Available
Linear overflow: BDW114 (chrome finish)



Legend	
(S) Blower	(L) Chromotherapy light
(P2) Grab bar	(C) Keypad
Recommended faucets drilling location*	Deck cut-out line - - - - -

*It is possible to install the faucets elsewhere on the product. The installer must verify that there are no piping or wires before drilling.

IMPORTANT NOTE: Specifications, dimensions and models are subject to change.

Visit our website <http://www.oceania-attitude.com> to access up-to-date dimensions and information. In all cases, information on the website is the most up-to-date.

Head office

591, avenue des Entreprises
Theftford Mines, Quebec
CANADA G6H 4B2

Contact numbers

Phone : 1-877-332-4224
Fax : 1-866-460-4334

Internet

Web : <http://www.oceania-attitude.com>
Email : info@bainsoceania.com