

Minto 65

Series : **Authentik Signature**

Nominal dimensions: **65" x 34" x 22" [165.1 cm x 86.4 cm x 55.9 cm]**

Seats : **2**

Product code: **MI65**

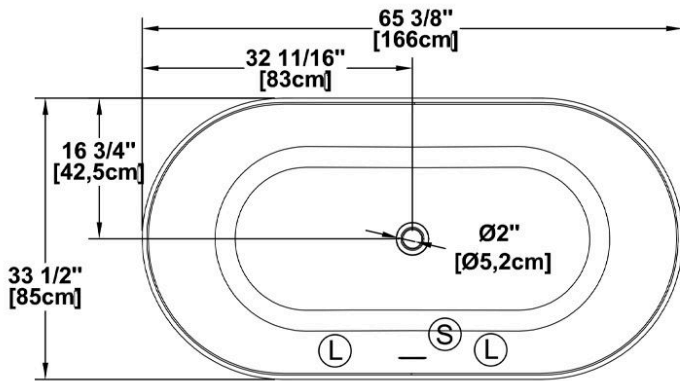
Draft revision : **2024040914532**

Lumbar support : no

Arm rests : no

Low-profile available : no

Draft and specs



Specifications

Capacity: **49 IMP Gal. / 63.9 US Gal. / 222.7 liters**
 AeroMassage™: **44 Easy Clean™** air jets
 Super AeroMassage™: **unavailable**
 Comfort Air™: **unavailable**
 Characteristics: **One-piece freestanding bath**

Remarks

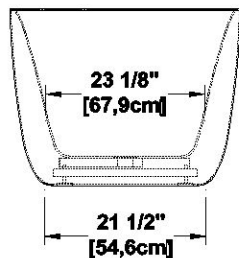
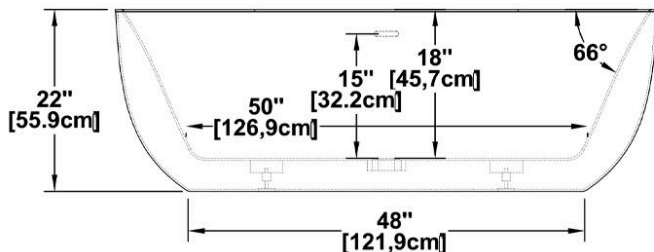
All measures have a precision of ± 1/4" (0,63cm)
 If a measure is present on one side only, part is symmetrical
 *internal dimensions taken at 4" (10cm) from bath bottom
 *capacity is measured by filling the bath to 1-1/2" under the overflow

Available models

- Soaker
- Comfort Air™
- AeroMassage™
- Super AeroMassage™

Available recommended options


- Front skirt:
- Recommended drain: Incl. INF101 (White finish)
- Tile flanges: unavailable
- Floating remote control: included if ordered with system
- Linear overflow: Integrated



Additional(s) note(s)

Handmade product, edge width may be uneven and vary. The overflow is factory installed, the drain is included but not installed. When ordered with AeroMassage, blower must be remote mounted. If system, delivered with keypad not installed and remote control is included.

Legend

- (S)** Blower
- (L)** Chromotherapy light
- (P2)** Grab bar
- (C)** Keypad
-  Recommended faucets drilling location*
- Deck cut-out line - - - - -

**It is possible to install the faucets elsewhere on the product. The installer must verify that there are no piping or wires before drilling.*

IMPORTANT NOTE: Specifications, dimensions and models are subject to change.

Visit our website <http://www.oceania-attitude.com> to access up-to-date dimensions and information. In all cases, information on the website is the most up-to-date.

Head office

591, avenue des Entreprises
 Thetford Mines, Quebec
 CANADA G6H 4B2

Contact numbers

Phone : 1-877-332-4224
 Fax : 1-866-460-4334

Internet

Web : <http://www.oceania-attitude.com>
 Email : info@bainsoceania.com