

Sublime 6030 (left hand drain)

Series : **Alcove**

Nominal dimensions: **60" x 30" x 22" [152.4 cm x 76.2 cm x 55.9 cm]**

Seats : **1**

Product code: **SU6030L**

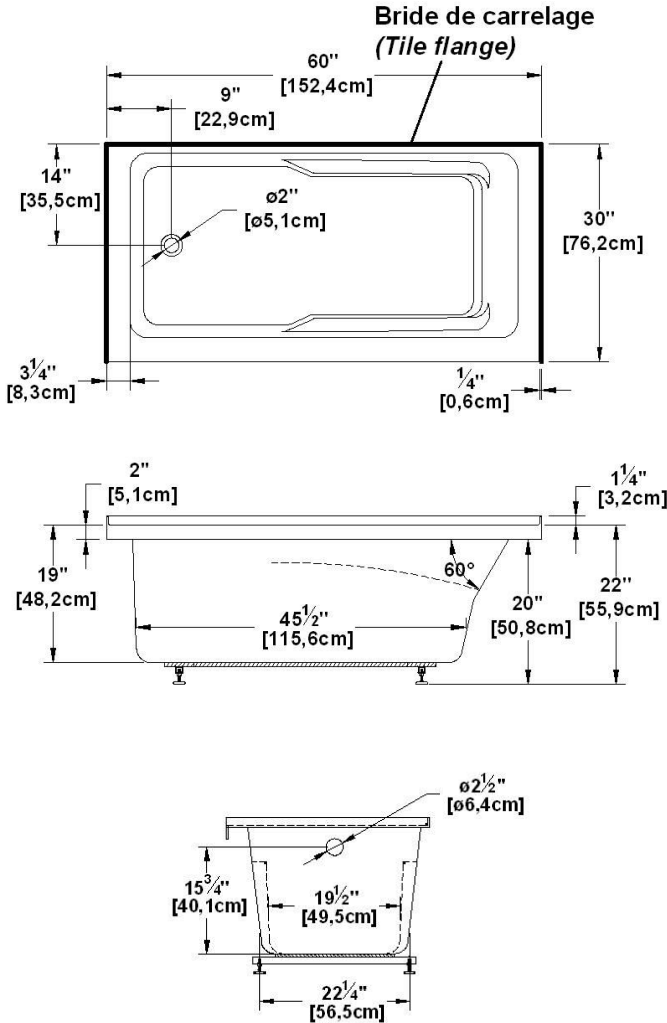
Draft revision : **2024062011160**

Lumbar support : yes

Arm rests : yes

Low-profile available : no

Draft and specs

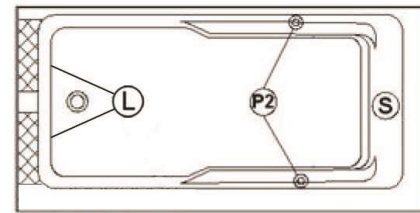


Specifications
Capacity: 45 IMP Gal. / 58.6 US Gal. / 204.5 liters
AeroMassage™: 40 Easy Clean™ air jets
Super AeroMassage™: AeroMassage™ + 12 Easy Clean™ air jets
Comfort Air™: 40 Easy Clean™ air jets
Characteristics: Integrated tile flanges on 3 sides

Remarks
All measures have a precision of $\pm 1/4"$ (0,63cm)
If a measure is present on one side only, part is symmetrical
*internal dimensions taken at 4" (10cm) from bath bottom
*capacity is measured by filling the bath to 1-1/2" under the overflow

Available models
Soaker <input checked="" type="checkbox"/>
Comfort Air™ <input checked="" type="checkbox"/>
AeroMassage™ <input checked="" type="checkbox"/>
Super AeroMassage™ <input checked="" type="checkbox"/>


Available recommended options
Front skirt: JA60
Recommended drain: WOCO14 (chrome finish)
Tile flanges: integrated
Floating remote control: Available
Linear overflow: BDW114 (chrome finish)



WARNING : If this bath is multiple ordered nested, its height will be about 1-1/2" (1 inch and a half) lower and will not have adjustable feet.

Additional(s) note(s)

Integrated acrylic tile flanges.

Legend	
(S) Blower	(L) Chromotherapy light
(P2) Grab bar	(C) Keypad
 Recommended faucets drilling location*	Deck cut-out line - - - - -

*It is possible to install the faucets elsewhere on the product. The installer must verify that there are no piping or wires before drilling.

IMPORTANT NOTE: Specifications, dimensions and models are subject to change.

Visit our website <http://www.oceania-attitude.com> to access up-to-date dimensions and information. In all cases, information on the website is the most up-to-date.

Head office

591, avenue des Entreprises
Theftford Mines, Quebec
CANADA G6H 4B2

Contact numbers

Phone : 1-877-332-4224
Fax : 1-866-460-4334

Internet

Web : <http://www.oceania-attitude.com>
Email : info@bainsoceania.com