

**Unity 32**

Nominal dimensions: **60" x 32" x 22" [152.4 cm x 81.3 cm x 55.9 cm]**

Seats : **1**

Product code: **UN32**

Series : **Deck mount**

Also available in FREESTANDING

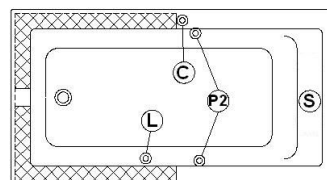
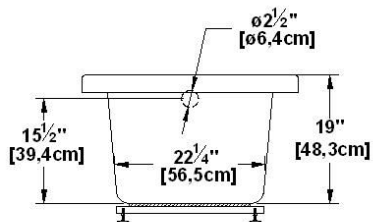
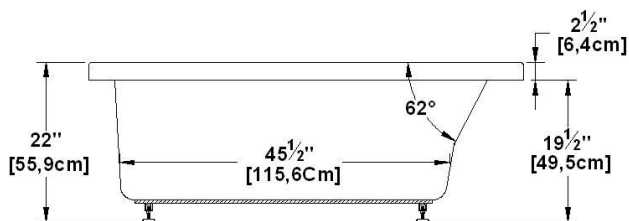
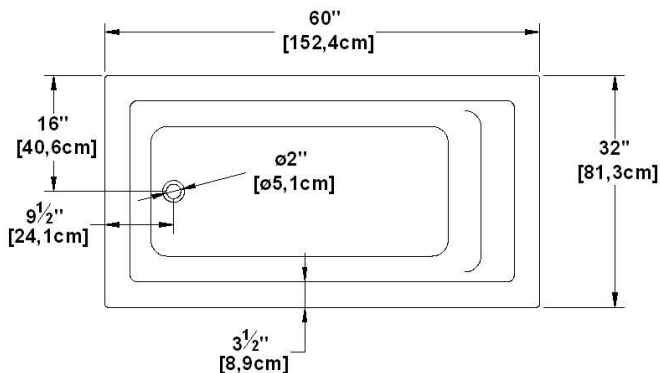
Draft revision : **2024010912120**

Lumbar support : yes

Arm rests : no

Low-profile available : yes

**Draft and specs**



Specifications
Capacity: <b>47 IMP Gal. / 61.3 US Gal. / 213.6 liters</b>
AeroMassage™: <b>36 Easy Clean™ air jets</b>
Super AeroMassage™: <b>AeroMassage™ + 12 Easy Clean™ air jets</b>
Comfort Air™: <b>36 Easy Clean™ air jets</b>
Characteristics:


Remarks
All measures have a precision of ± 1/4" (0,63cm)
If a measure is present on one side only, part is symmetrical
*internal dimensions taken at 4" (10cm) from bath bottom
*capacity is measured by filling the bath to 1-1/2" under the overflow

Available models
Soaker <input checked="" type="checkbox"/>
Comfort Air™ <input checked="" type="checkbox"/>
AeroMassage™ <input checked="" type="checkbox"/>
Super AeroMassage™ <input checked="" type="checkbox"/>

Available recommended options
Front skirt: JA60
Recommended drain: WOCO14 (chrome finish)
Tile flanges: available
Floating remote control: Available
Linear overflow: BDW114 (chrome finish)

**Additional(s) note(s)**

Keypad supplied but not installed when ordered with tile flanges or remote control.

Legend	
<b>(S)</b> Blower	<b>(L)</b> Chromotherapy light
<b>(P2)</b> Grab bar	<b>(C)</b> Keypad
 Recommended faucets drilling location*	Deck cut-out line - - - - -

*\*It is possible to install the faucets elsewhere on the product. The installer must verify that there are no piping or wires before drilling.*

**IMPORTANT NOTE:** Specifications, dimensions and models are subject to change.

Visit our website <http://www.oceania-attitude.com> to access up-to-date dimensions and information. In all cases, information on the website is the most up-to-date.

Head office

591, avenue des Entreprises  
Theftford Mines, Quebec  
CANADA G6H 4B2

Contact numbers

Phone : 1-877-332-4224  
Fax : 1-866-460-4334

Internet

Web : <http://www.oceania-attitude.com>  
Email : [info@bainsoceania.com](mailto:info@bainsoceania.com)