

**City 6030 (left hand drain)**

Series : **Alcove**

Nominal dimensions: **60" x 30" x 18" [152.4 cm x 76.2 cm x 45.7 cm]**

Seats : **1**

Product code: **C16030L**

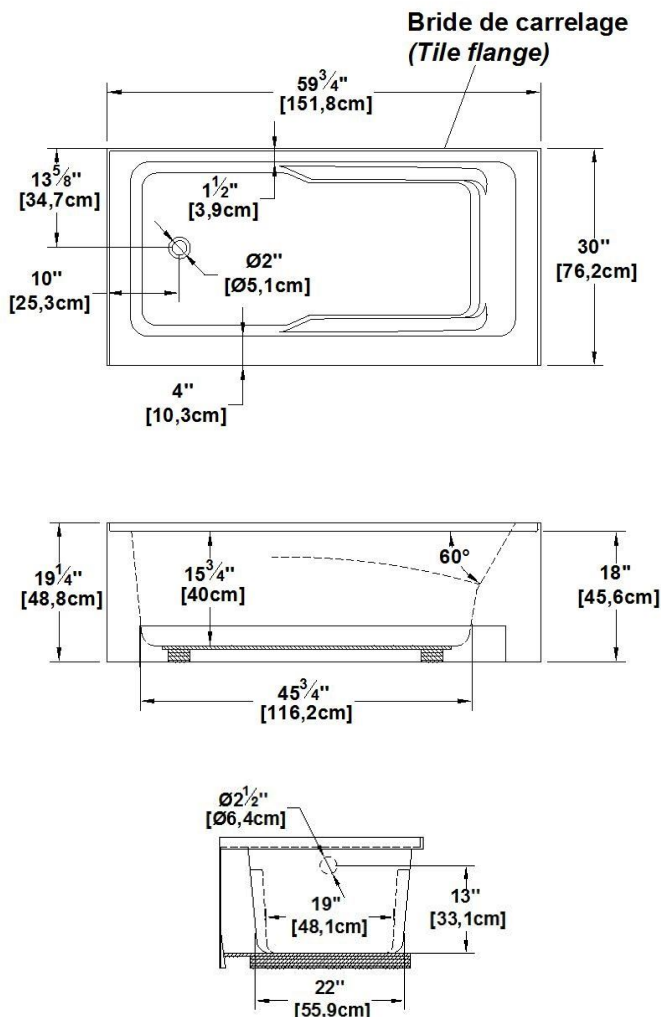
Draft revision : **2023122109444**

Lumbar support : **yes**

Arm rests : **yes**

Low-profile available : **no**

**Draft and specs**

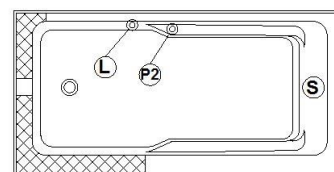


Specifications
Capacity: <b>33 IMP Gal. / 43 US Gal. / 150 liters</b>
AeroMassage™: <b>43 Easy Clean™ air jets</b>
Super AeroMassage™: <b>unavailable</b>
Comfort Air™: <b>43 Easy Clean™ air jets</b>
Characteristics: <b>Textured floor, integrated front skirt</b>

Remarks
All measures have a precision of ± 1/4" (0,63cm)
If a measure is present on one side only, part is symmetrical
*internal dimensions taken at 4" (10cm) from bath bottom
*capacity is measured by filling the bath to 1-1/2" under the overflow

Available models
Soaker <input checked="" type="checkbox"/>
Comfort Air™ <input checked="" type="checkbox"/>
AeroMassage™ <input checked="" type="checkbox"/>
Super AeroMassage™ <input type="checkbox"/>

Available recommended options
Front skirt: <b>Integrated</b>
Recommended drain: <b>WOCO14 (chrome finish)</b>
Tile flanges: <b>integrated</b>
Floating remote control: <b>Available</b>
Linear overflow: <b>BDW114 (chrome finish)</b>



**Additional(s) note(s)**

Integrated acrylic tile flanges.

Legend	
<b>(S)</b> Blower	<b>(L)</b> Chromotherapy light
<b>(P2)</b> Grab bar	<b>(C)</b> Keypad
Recommended faucets drilling location*	Deck cut-out line - - - - -

\*It is possible to install the faucets elsewhere on the product. The installer must verify that there are no piping or wires before drilling.

**IMPORTANT NOTE:** Specifications, dimensions and models are subject to change.

Visit our website <http://www.oceania-attitude.com> to access up-to-date dimensions and information. In all cases, information on the website is the most up-to-date.

Head office

591, avenue des Entreprises  
Theftford Mines, Quebec  
CANADA G6H 4B2

Contact numbers

Phone : 1-877-332-4224  
Fax : 1-866-460-4334

Internet

Web : <http://www.oceania-attitude.com>  
Email : [info@bainsoceania.com](mailto:info@bainsoceania.com)