

**Suite 6031 L-SFLR - Left hand drain, 3 Skirts (Front, Left and Right)**

Series : **Authentik Signature**

Nominal dimensions: **60" x 31" x 22" [152.4 cm x 78.7 cm x 55.9 cm]**

Seats : **1**

Product code: **SU6031L-SFLR**

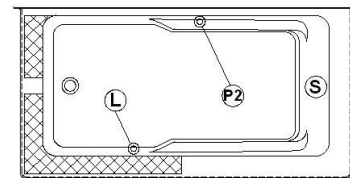
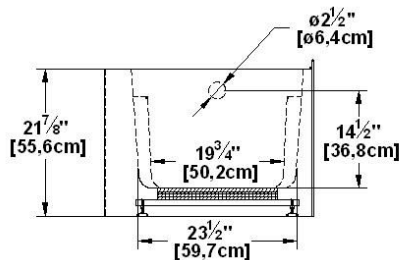
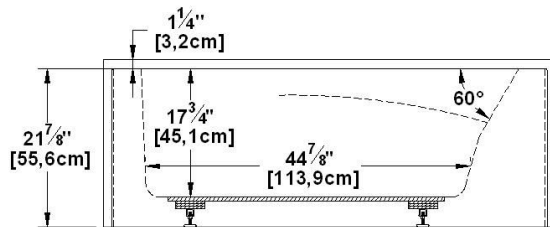
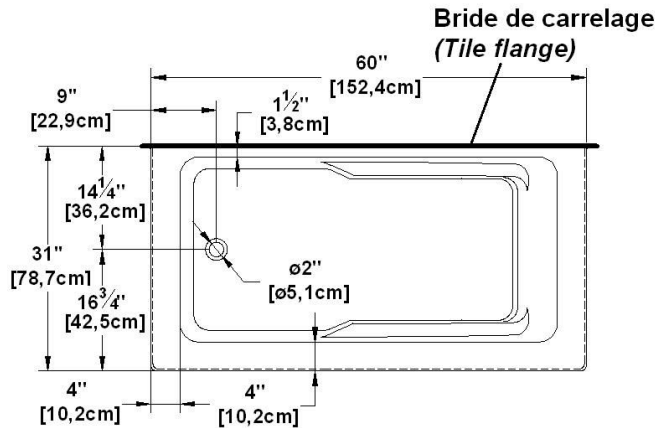
Draft revision : **2023122210112**

Lumbar support : yes

Arm rests : yes

Low-profile available : no

**Draft and specs**



When ordered with a linear overflow (BDW), the installation panel option is mandatory.

Additional(s) note(s)

Integrated acrylic tile flanges.

Specifications
Capacity: <b>40 IMP Gal. / 52.1 US Gal. / 181.8 liters</b>
AeroMassage™: <b>40 Easy Clean™ air jets</b>
Super AeroMassage™: <b>AeroMassage™ + 12 Easy Clean™ air jets</b>
Comfort Air™: <b>40 Easy Clean™ air jets</b>
Characteristics: <b>3 integrated skirts</b>

Remarks
All measures have a precision of ± 1/4" (0,63cm)
If a measure is present on one side only, part is symmetrical
*internal dimensions taken at 4" (10cm) from bath bottom
*capacity is measured by filling the bath to 1-1/2" under the overflow

Available models
Soaker <input checked="" type="checkbox"/>
Comfort Air™ <input checked="" type="checkbox"/>
AeroMassage™ <input checked="" type="checkbox"/>
Super AeroMassage™ <input checked="" type="checkbox"/>

Available recommended options
Front skirt: Integrated
Recommended drain: WOCOSBS14 (chrome finish)
Tile flanges: Included on sides without skirt
Floating remote control: Available
Linear overflow: BDW114 (chrome finish)

Legend	
<b>S</b> Blower	<b>L</b> Chromatherapy light
<b>P2</b> Grab bar	<b>C</b> Keypad
Recommended faucets drilling location*	Deck cut-out line - - - - -

\*It is possible to install the faucets elsewhere on the product. The installer must verify that there are no piping or wires before drilling.

**IMPORTANT NOTE:** Specifications, dimensions and models are subject to change.

Visit our website <http://www.oceania-attitude.com> to access up-to-date dimensions and information. In all cases, information on the website is the most up-to-date.

Head office

591, avenue des Entreprises  
Theftford Mines, Quebec  
CANADA G6H 4B2

Contact numbers

Phone : 1-877-332-4224  
Fax : 1-866-460-4334

Internet

Web : <http://www.oceania-attitude.com>  
Email : [info@bainsoceania.com](mailto:info@bainsoceania.com)