

Suite 6631 L-SF - Left hand drain, 1 Skirt (Front)

Series : **Alcove**

Nominal dimensions: **66" x 31" x 22" [167.6 cm x 78.7 cm x 55.9 cm]**

Seats : **1**

Product code: **SU6631L-SF**

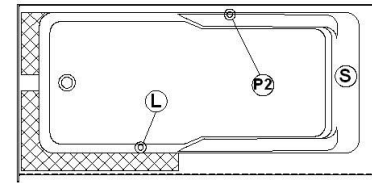
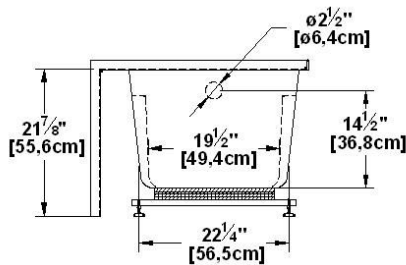
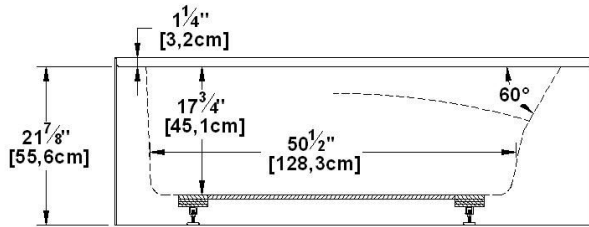
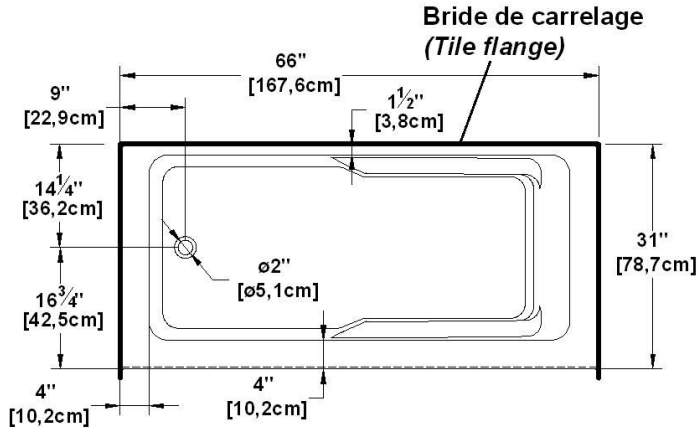
Draft revision : **2023122210413**

Lumbar support : yes

Arm rests : yes

Low-profile available : no

Draft and specs



| Specifications |
|---|
| Capacity: 44 IMP Gal. / 57.3 US Gal. / 200 liters |
| AeroMassage™: 40 Easy Clean™ air jets |
| Super AeroMassage™: AeroMassage™ + 12 Easy Clean™ air jets |
| Comfort Air™: 40 Easy Clean™ air jets |
| Characteristics: 1 integrated skirt |

| Remarks |
|--|
| All measures have a precision of ± 1/4" (0,63cm) |
| If a measure is present on one side only, part is symmetrical |
| *internal dimensions taken at 4" (10cm) from bath bottom |
| *capacity is measured by filling the bath to 1-1/2" under the overflow |

| Available models |
|--|
| Soaker <input checked="" type="checkbox"/> |
| Comfort Air™ <input checked="" type="checkbox"/> |
| AeroMassage™ <input checked="" type="checkbox"/> |
| Super AeroMassage™ <input checked="" type="checkbox"/> |

| Available recommended options |
|---|
| Front skirt: Integrated |
| Recommended drain: WOCO14 (chrome finish) |
| Tile flanges: Included on sides without skirt |
| Floating remote control: Available |
| Linear overflow: BDW114 (chrome finish) |

Additional(s) note(s)

1

| Legend | |
|--|--------------------------------|
| (S) Blower | (L) Chromotherapy light |
| (P2) Grab bar | (C) Keypad |
| Recommended faucets drilling location* | Deck cut-out line - - - - - |

*It is possible to install the faucets elsewhere on the product. The installer must verify that there are no piping or wires before drilling.

IMPORTANT NOTE: Specifications, dimensions and models are subject to change.

Visit our website <http://www.oceania-attitude.com> to access up-to-date dimensions and information. In all cases, information on the website is the most up-to-date.

Head office

591, avenue des Entreprises
Theftord Mines, Quebec
CANADA G6H 4B2

Contact numbers

Phone : 1-877-332-4224
Fax : 1-866-460-4334

Internet

Web : <http://www.oceania-attitude.com>
Email : info@bainsoceania.com