

Urbania 6031 R-SF - Right hand drain, 1 Skirt (Front)

Series : **Alcove**

Nominal dimensions: **60" x 31" x 17.5" [152.4 cm x 78.7 cm x 44.5 cm]**

Seats : **1**

Product code: **UR6031R-SF**

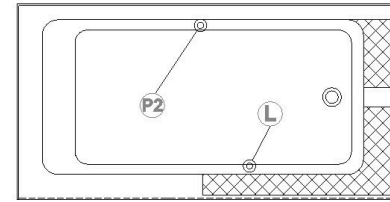
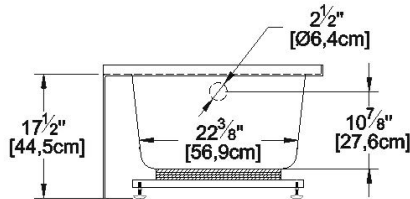
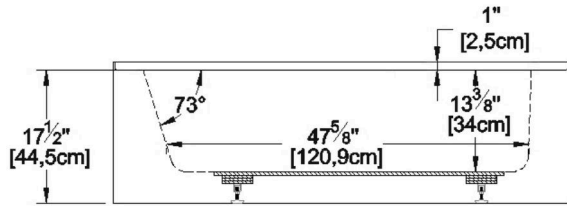
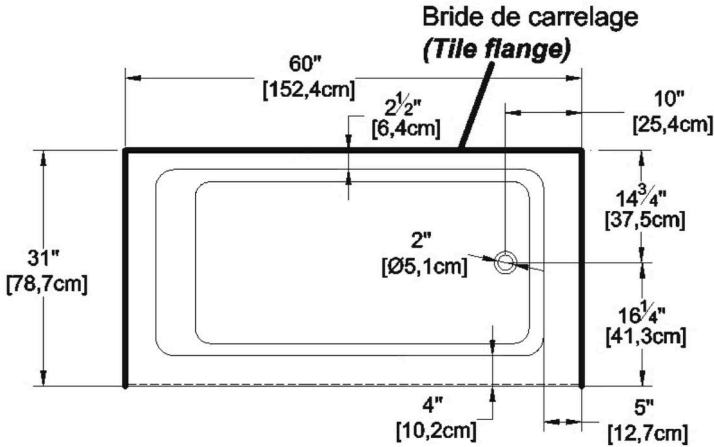
Draft revision : **2024010912155**

Lumbar support : no

Arm rests : no

Low-profile available : no

Draft and specs



Specifications

Capacity: **28 IMP Gal. / 36.5 US Gal. / 127.2 liters**
 AeroMassage™: **unavailable**
 Super AeroMassage™: **unavailable**
 Comfort Air™: **unavailable**
 Characteristics: **1 integrated skirt**

Remarks

All measures have a precision of ± 1/4" (0,63cm)
 If a measure is present on one side only, part is symmetrical
 *internal dimensions taken at 4" (10cm) from bath bottom
 *capacity is measured by filling the bath to 1-1/2" under the overflow

Available models

- Soaker
- Comfort Air™
- AeroMassage™
- Super AeroMassage™

Available recommended options

- Front skirt: Integrated
- Recommended drain: WOCO14 (chrome finish)
- Tile flanges: Included on sides without skirt
- Floating remote control: not available
- Linear overflow: BDW114 (chrome finish)

Additional(s) note(s)

Integrated acrylic tile flanges.

Legend

- S** Blower
- L** Chromatherapy light
- P2** Grab bar
- C** Keypad
- Recommended faucets drilling location*

Deck cut-out line - - - - -

*It is possible to install the faucets elsewhere on the product. The installer must verify that there are no piping or wires before drilling.

IMPORTANT NOTE: Specifications, dimensions and models are subject to change.

Visit our website <http://www.oceania-attitude.com> to access up-to-date dimensions and information. In all cases, information on the website is the most up-to-date.

Head office

591, avenue des Entreprises
 Thetford Mines, Quebec
 CANADA G6H 4B2

Contact numbers

Phone : 1-877-332-4224
 Fax : 1-866-460-4334

Internet

Web : <http://www.oceania-attitude.com>
 Email : info@bainsoceania.com