

**Chilko 57 deck mount faucet**

Series : **Authentik Signature**

Nominal dimensions: **57" x 34" x 22" [144.8 cm x 86.4 cm x 55.9 cm]**

Seats : **1**

Product code: **CH57DMF**

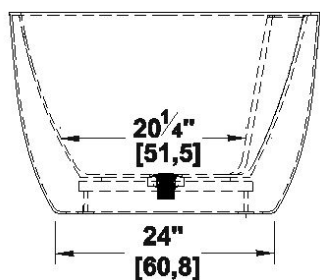
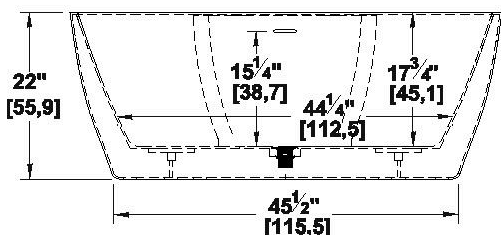
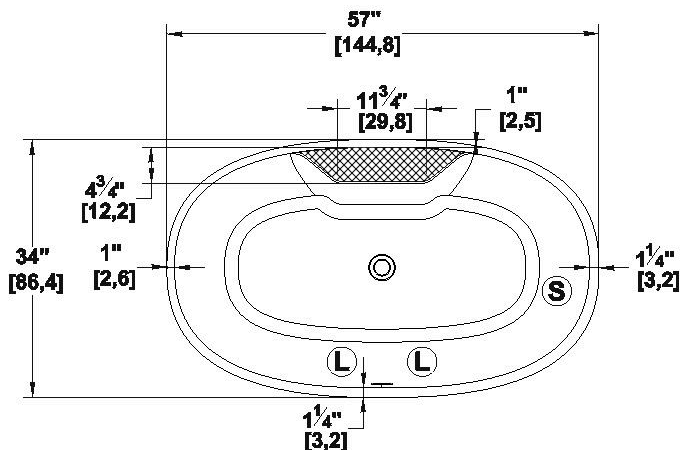
Draft revision : **2024043008401**

Lumbar support : no

Arm rests : no

Low-profile available : no

**Draft and specs**



**Additional(s) note(s)**

Handmade product, edge width may be uneven and vary. The overflow is factory installed, the drain is included but not installed. When ordered with AeroMassage, blower must be remote mounted. If system, delivered with keypad not installed and remote control is included.

*\*It is possible to install the faucets elsewhere on the product. The installer must verify that there are no piping or wires before drilling.*

**IMPORTANT NOTE:** Specifications, dimensions and models are subject to change.

Visit our website <http://www.oceania-attitude.com> to access up-to-date dimensions and information. In all cases, information on the website is the most up-to-date.

**Specifications**

Capacity: **46 IMP Gal. / 59.9 US Gal. / 209.1 liters**  
 AeroMassage™: **40 Easy Clean™** air jets  
 Super AeroMassage™: **unavailable**  
 Comfort Air™: **unavailable**  
 Characteristics: **One-piece freestanding bath**

**Remarks**

All measures have a precision of ± 1/4" (0,63cm)  
 If a measure is present on one side only, part is symmetrical  
 \*internal dimensions taken at 4" (10cm) from bath bottom  
 \*capacity is measured by filling the bath to 1-1/2" under the overflow

**Available models**

- Soaker
- Comfort Air™
- AeroMassage™
- Super AeroMassage™

**Available recommended options**

- Front skirt:
- Recommended drain: Incl. INF101 (White finish)
- Tile flanges: unavailable
- Floating remote control: included if ordered with system
- Linear overflow: Integrated



**Legend**

- S** Blower air entry
- L** Chromotherapy light
- P2** Grab bar
- C** Keypad



Recommended faucets drilling location\*

Deck cut-out line - - - - -

**Head office**

591, avenue des Entreprises  
 Thetford Mines, Quebec  
 CANADA G6H 4B2

**Contact numbers**

Phone : 1-877-332-4224  
 Fax : 1-866-460-4334

**Internet**

Web : <http://www.oceania-attitude.com>  
 Email : [info@bainsoceania.com](mailto:info@bainsoceania.com)