

Pure 6030 (left hand drain)

Series : **Alcove**

Nominal dimensions: **60" x 30" x 18" [152.4 cm x 76.2 cm x 45.7 cm]**

Seats : **1**

Product code: **PU6030LLI**

Draft revision : **2024110410062**

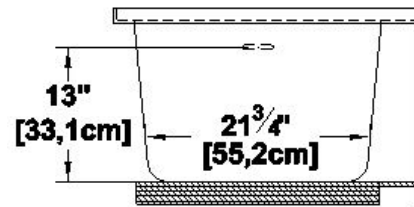
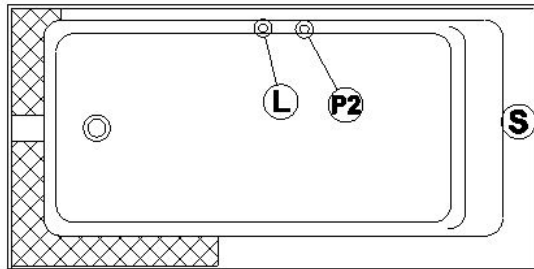
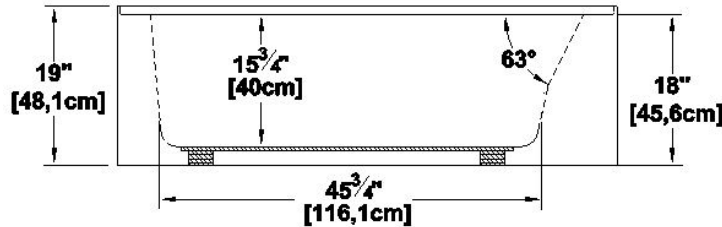
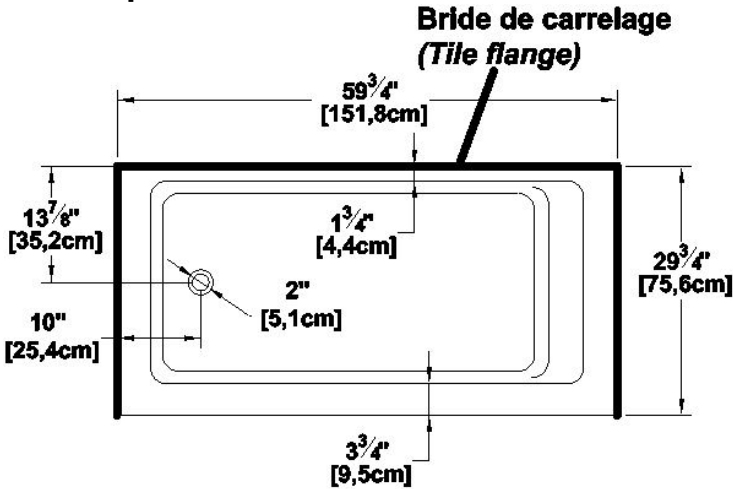
Lumbar support : yes

Arm rests : no

Undermount : no

Low-profile available : no

Draft and specs



Additional(s) note(s)

Integrated acrylic tile flanges. If system, delivered with keypad not installed. Only one handle can be factory installed.

Specifications

Capacity: 35 IMP Gal. / 45.6 US Gal. / 159.1 liters
 AeroMassage™: 41 Easy Clean™ air jets
 Super AeroMassage™: unavailable
 Characteristics: Integrated front skirt

Remarks

All measures have a precision of ± 1/4" (0,63cm)
 If a measure is present on one side only, part is symmetrical
 *internal dimensions taken at 4" (10cm) from bath bottom
 *capacity is measured by filling the bath to 1-1/2" under the overflow

Available models

Soaker
 AeroMassage™
 Super AeroMassage™

Available recommended options

Front skirt:
 Recommended drain:
 Tile flanges: integrated
 Floating remote control: included if ordered with system
 Linear overflow: BDW114 (chrome finish)

Legend

(S) Blower (L) Chromotherapy light
 (P2) Grab bar (C) Keypad
 Recommended faucets drilling location*
 Deck cut-out line - - - - -

*It is possible to install the faucets elsewhere on the product. The installer must verify that there are no piping or wires before drilling.

IMPORTANT NOTE: Specifications, dimensions and models are subject to change.

Visit our website <http://www.oceania-attitude.com> to access up-to-date dimensions and information. In all cases, information on the website is the most up-to-date.

Head office

591, avenue des Entreprises
 Theftord Mines, Quebec
 CANADA G6H 4B2

Contact numbers

Phone : 1-877-332-4224
 Fax : 1-866-460-4334

Internet

Web : <http://www.oceania-attitude.com>
 Email : info@bainsoceania.com