

Romy 67

Series : **Authentik Signature**

Nominal dimensions: **67" x 34" x 28" [170.2 cm x 86.4 cm x 71.1 cm]**

Seats : **1**

Product code: **RO67**

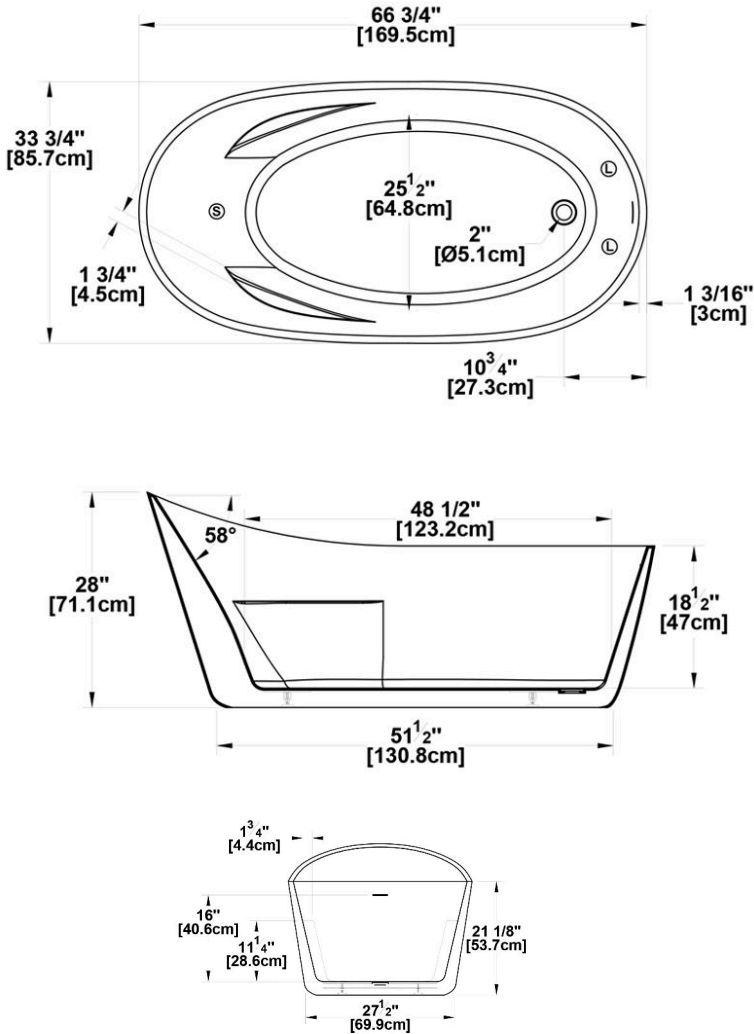
Draft revision : **2024092308292**

Lumbar support : no

Arm rests : yes

Low-profile available : no

Draft and specs



| Specifications |
|--------------------------------------------------------|
| Capacity: 66 IMP Gal. / 86 US Gal. / 300 liters |
| AeroMassage™: 44 Easy Clean™ air jets |
| Super AeroMassage™: unavailable |
| Comfort Air™: unavailable |
| Characteristics: One-piece freestanding bath |

| Remarks |
|------------------------------------------------------------------------|
| All measures have a precision of ± 1/4" (0,63cm) |
| If a measure is present on one side only, part is symmetrical |
| *internal dimensions taken at 4" (10cm) from bath bottom |
| *capacity is measured by filling the bath to 1-1/2" under the overflow |


| Available models |
|--------------------------------------------------|
| Soaker <input checked="" type="checkbox"/> |
| Comfort Air™ <input type="checkbox"/> |
| AeroMassage™ <input checked="" type="checkbox"/> |
| Super AeroMassage™ <input type="checkbox"/> |

| Available recommended options |
|----------------------------------------------------------|
| Front skirt: |
| Recommended drain: Incl. INF101 (White finish) |
| Tile flanges: unavailable |
| Floating remote control: included if ordered with system |
| Linear overflow: Integrated |



Additional(s) note(s)

The overflow is factory installed, the drain is included but not installed. When ordered with AeroMassage, blower must be remote mounted.

| Legend | |
|----------------------------------------------------------------------------------------------------------------------------|--------------------------------|
| (S) Blower air entry | (L) Chromotherapy light |
| (P2) Grab bar | (C) Keypad |
|  Recommended faucets drilling location* | Deck cut-out line - - - - - |

*It is possible to install the faucets elsewhere on the product. The installer must verify that there are no piping or wires before drilling.

IMPORTANT NOTE: Specifications, dimensions and models are subject to change.
 Visit our website <http://www.oceania-attitude.com> to access up-to-date dimensions and information. In all cases, information on the website is the most up-to-date.

Head office
 591, avenue des Entreprises
 Thetford Mines, Quebec
 CANADA G6H 4B2

Contact numbers
 Phone : 1-877-332-4224
 Fax : 1-866-460-4334

Internet
 Web : <http://www.oceania-attitude.com>
 Email : info@bainsoceania.com