

Base 32x32 corner drain

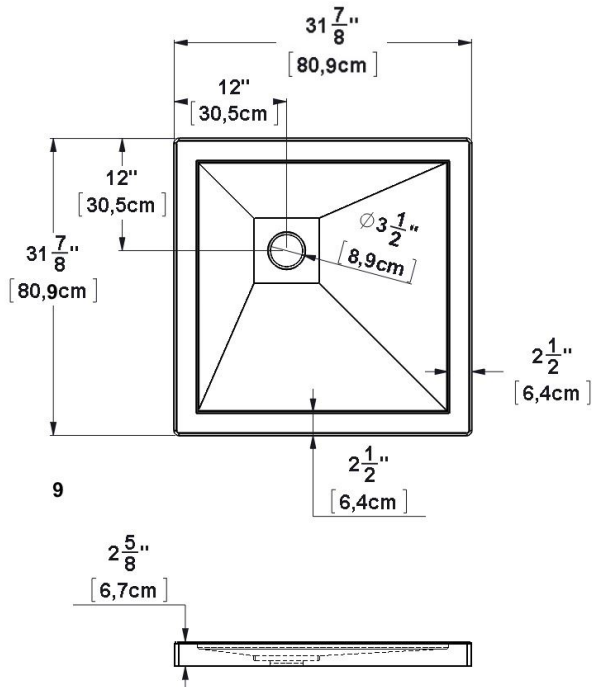
Product code: **SB323212**

Nominal dimensions: **32" x 32" x 2.625" [81.3 cm x 81.3 cm x 6.7 cm]**

Material: **acrylic**

Draft revision : **20241112145756**

Draft and specs

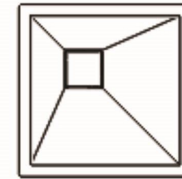


Specifications

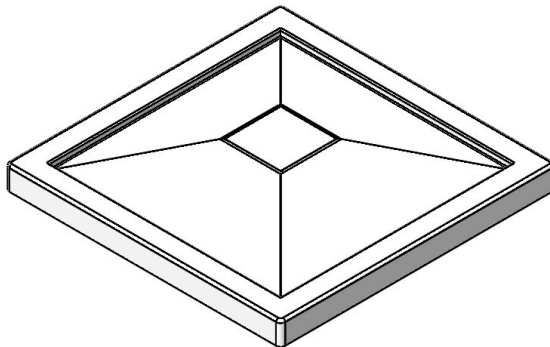
Textured floor: **no**
Footrest: **no**
Characteristics: **corner base 12-12**

Remarks

All measures have a precision of $\pm 1/4$ " (0,63cm)
If a measure is present on one side only, part is symmetrical



Brides/Flange: X



Available options

Shower seat:
Shower door : **FP32 FP32R32**

Additional note(s):

Aluminum tile Flanges supplied but NOT installed.

IMPORTANT NOTE :

Specifications, dimensions and models are subject to change.
Visit our website <http://www.oceania-attitude.com> to access up-to-date dimensions and informations. In all cases, information on the website is the most up-to-date.

Head office

591, avenue des Entreprises
Thetford Mines, Quebec
CANADA G6H 4B2

Contact numbers

Phone : 1-877-332-4224
Fax : 1-866-460-4334

Internet

Web : <http://www.oceania-attitude.com>
Email : info@bainsoceania.com