

Base 34x32 LH corner drain

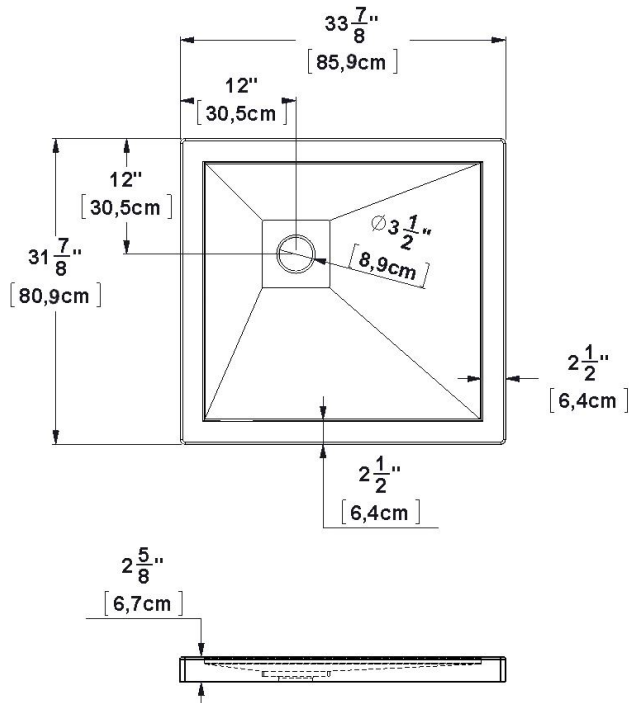
Product code: **SB34L3212**

Nominal dimensions: **34" x 32" x 2.625" [86.4 cm x 81.3 cm x 6.7 cm]**

Material: **acrylic**

Draft revision : **20240110124101**

Draft and specs



Specifications

Textured floor: **no**
Footrest: **no**
Characteristics: **corner base 12-12**

Remarks

All measures have a precision of $\pm 1/4$ " (0,63cm)
If a measure is present on one side only, part is symmetrical



Available options

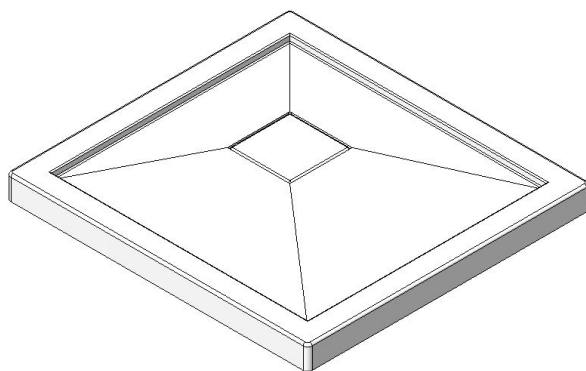
Shower seat:
Shower door : **FP32 FP32R34 FP34 FP34R32**

Additional note(s):

Integrated tile flanges not shown. To be specified when ordering. Aluminum tile flanges can be supplied as an option. *The "X" configuration has no tiling flange. The aluminum tile flanges are provided, but not factory installed.

IMPORTANT NOTE :

Specifications, dimensions and models are subject to change. Visit our website <http://www.oceania-attitude.com> to access up-to-date dimensions and informations. In all cases, information on the website is the most up-to-date.



Head office

591, avenue des Entreprises
Thetford Mines, Quebec
CANADA G6H 4B2

Contact numbers

Phone : 1-877-332-4224
Fax : 1-866-460-4334

Internet

Web : <http://www.oceania-attitude.com>
Email : info@bainsoceania.com