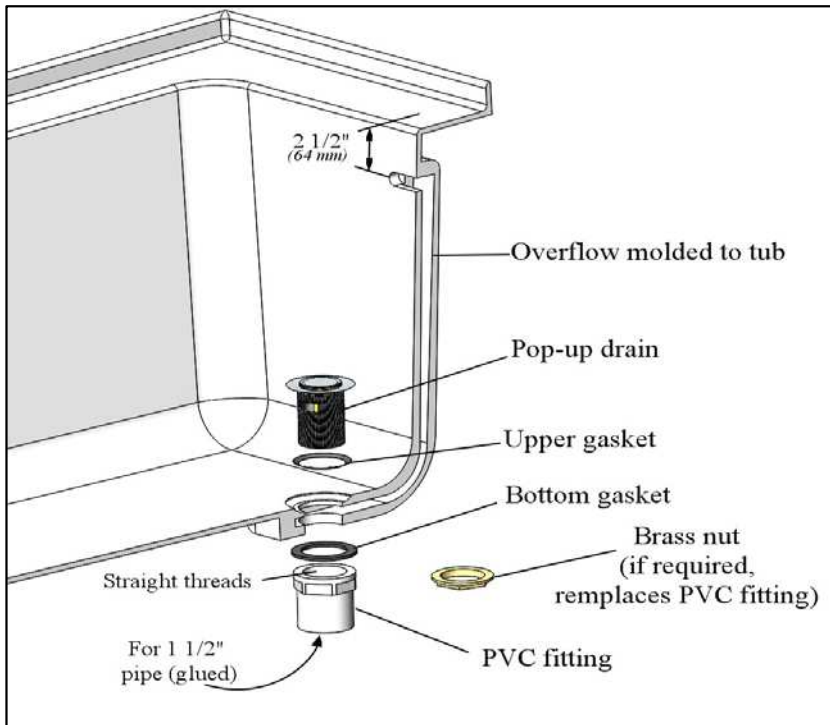


# INF Integrated Linear Overflow

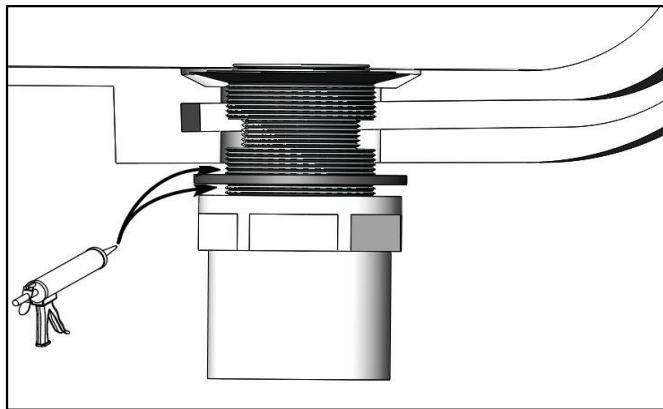


Material	Code	Color
Plated Steel	<b>INF114</b>	Chrome
	<b>INF116</b>	Brushed Nickel
	<b>INF117</b>	Polished Nickel
Powder coated brass	<b>INF101</b>	White
	<b>INF148M</b>	Matte Black

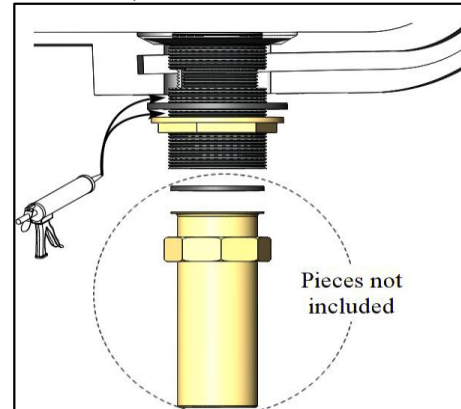
Notes: The overflow is factory installed, drain is included but not installed.  
Compared to standard overflow (circular hole), the linear overflow allows a higher water level (approximately 1 1/4").



Recommended installation



Other possible installation



It is recommended to apply a flexible sealant (silicone or putty for plumbing) on pop-up drain threads, on each sides of the bottom gasket. Tighten PVC fitting (or brass nut) afterwards. When sealant is ready for use, make a water test by filling the bathtub up to the overflow level. Check for any leakage. Check again while draining the bathtub completely.