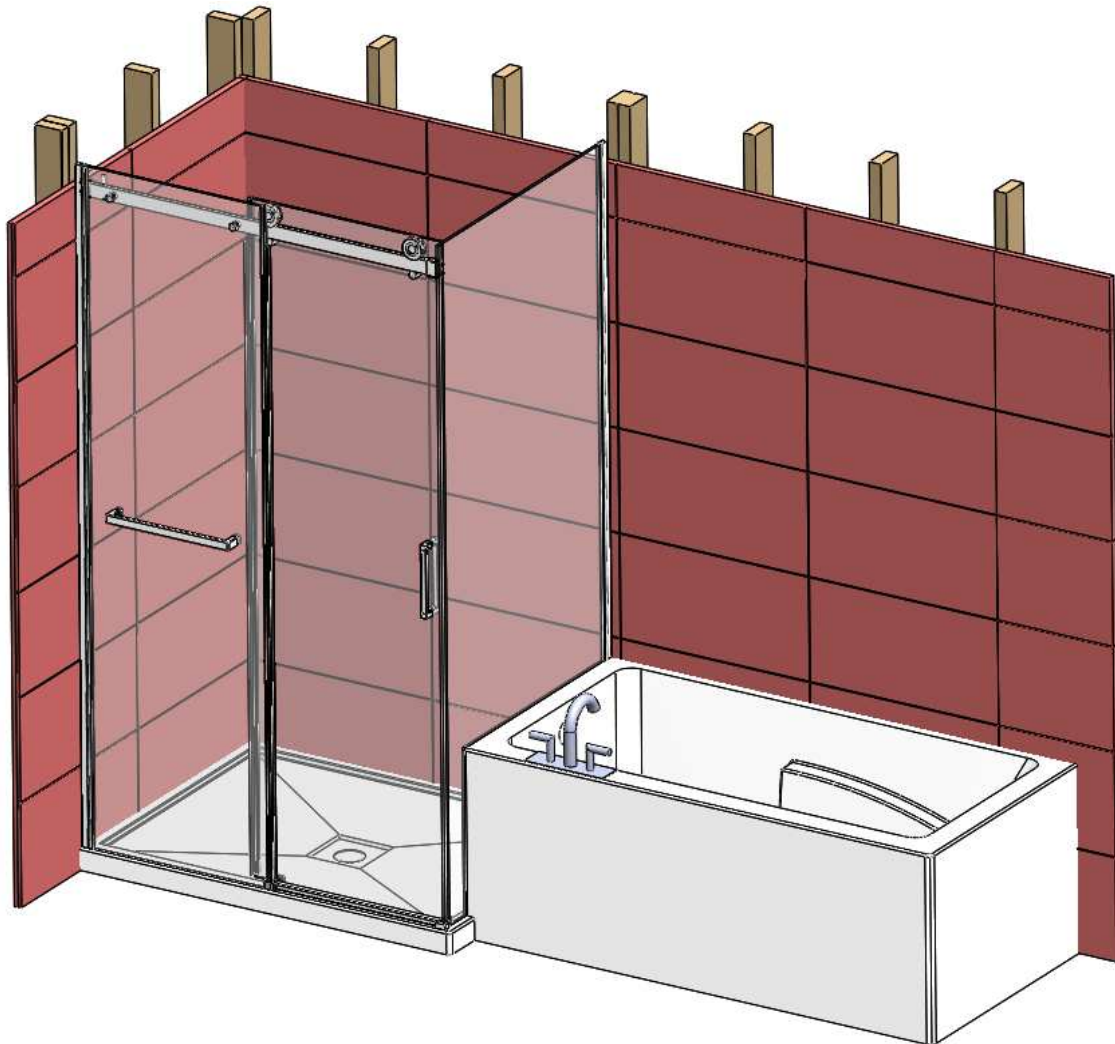


oceania

water • attitude

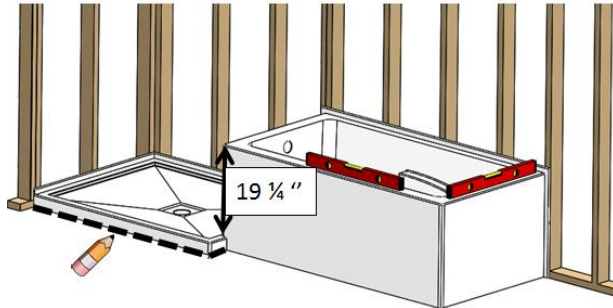
Installation Instruction for Optimale Series

Linear Mounting (ML)

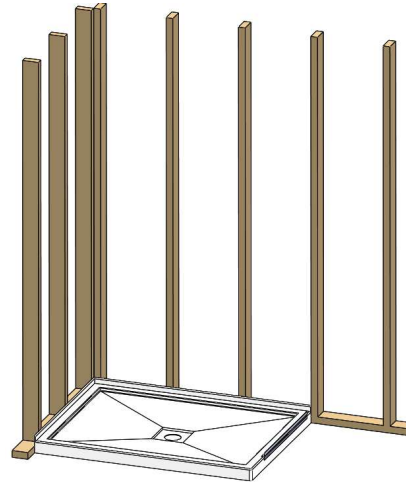


1. Place the bathtub and the base in their final position. Adjust the legs of the bathtub so that they support the tub.

The top of the bathtub must be levelled on both sides, and must be at 19 ¼" distance from the top of the base (14 7/8" for an Urbania tub). Mark the position of the base.



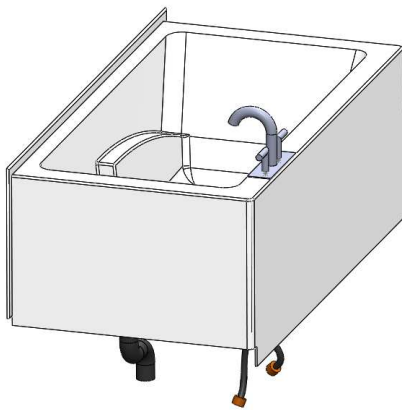
2. Remove the bathtub and install the base as described in the Installation Manual provided with the base.



3. Install the faucets, the drain and the overflow. Please note that the faucets can be wall or floor mounted.

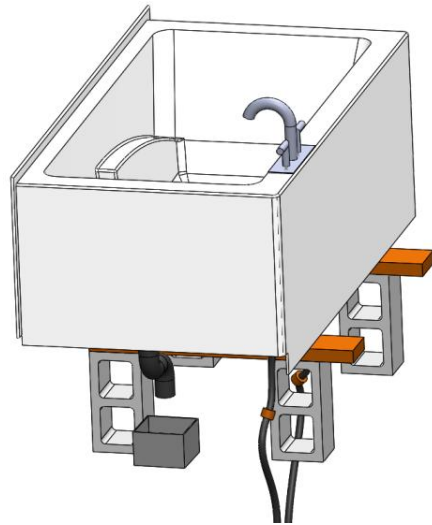
Use flexible hoses for hot/cold water supply.

Connect the bath drain into the floor drain without any glue to make sure the installation is appropriate.

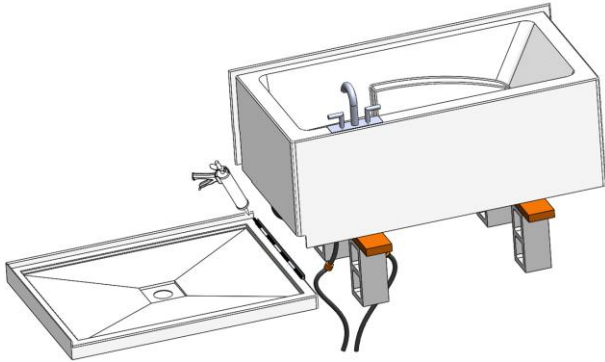


4. Place the bathtub on blocks above its final position. Make required connections (hot/cold water, chromotherapy light, keypad, water detector, blower). The blower can be relocated away from its position inside the skirt, to allow an easy access.

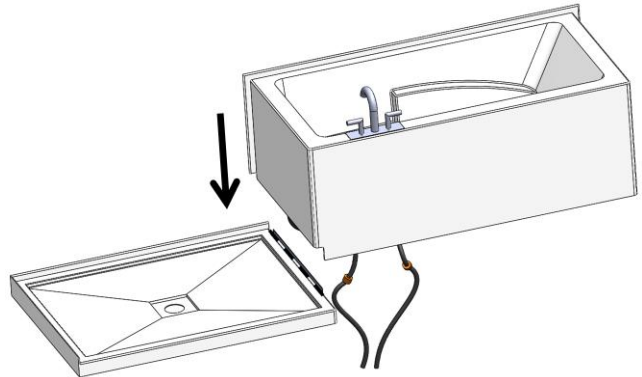
Test water supply connections and test drain to make sure there is no leakage. After testing, use a small container to collect water under the bath.



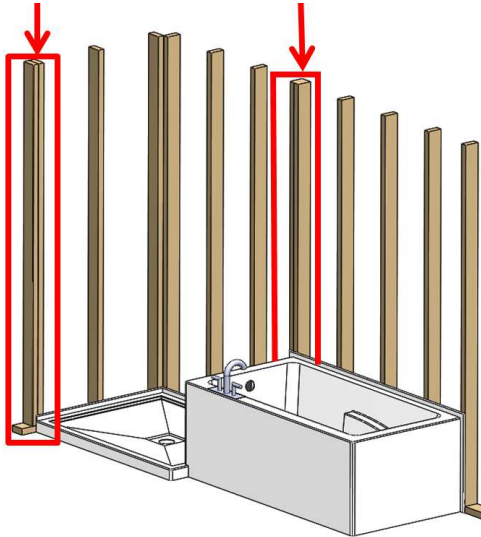
5. Apply a generous bead of silicone on the side of the base where it comes into contact with the bathtub (along the tiling flange).



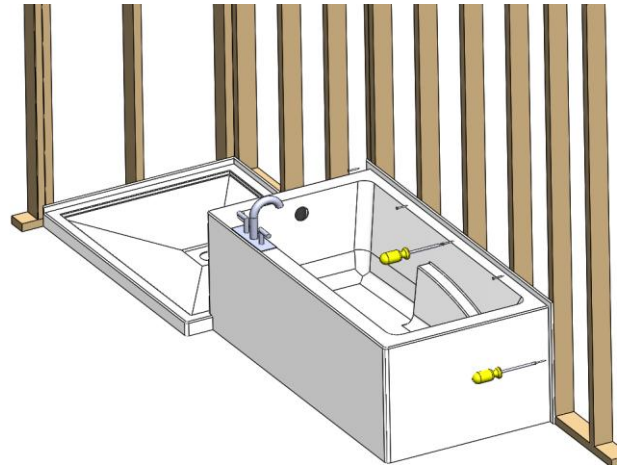
6. Remove the blocks and place the bathtub in its final position, and connect the drain.



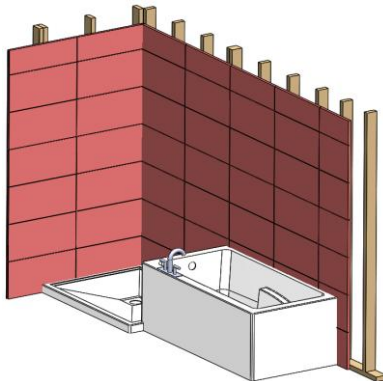
7. Make sure there are 2 studs in the following locations (one at the end of the base, the other next to the bathtub's side). These studs will be necessary for the installation of the door wall jambs.



8. Secure the tub to the wall. First, drill the tiling flange, then insert the screws in these same holes. The holes drilled in the flange must be larger than the screw diameter.



9. Install the drywall and the tiles.



10. Door installation:

To install a **sliding door (Marelia)**, follow instructions : **Linear Mounting + Marelia door**.

To install a **hinged door (California)**, follow instructions : **Linear Mounting + California door**.

Installation Instructions for Access Panels

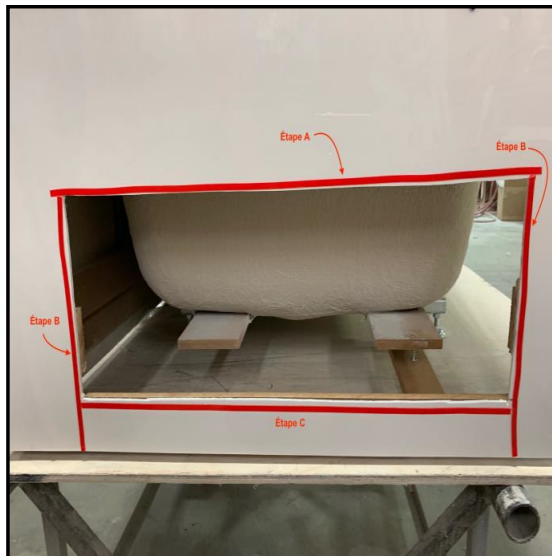
A) Clean all around the opening using a soft cloth and wood alcohol.



B) Clean all around the inner perimeter of the access panel, using wood alcohol.



Step 2



A) Install the double-sided tape horizontally over the opening. Do not exceed more than $\frac{3}{4}$ " on each side.

B) Install the double-sided tape vertically, on each side of the opening, starting up and going down, without overlapping the joints.

C) Install the double-sided tape horizontally, below the opening, without overlapping the joints.

D) Press firmly all over the tape.

Step 3

A) Remove the protective film on the double-sided tape.



Step 4

A) Apply silicone in the groove of the access panel.



Step 5

A) Align the access panel with the side of the bathtub and press firmly.

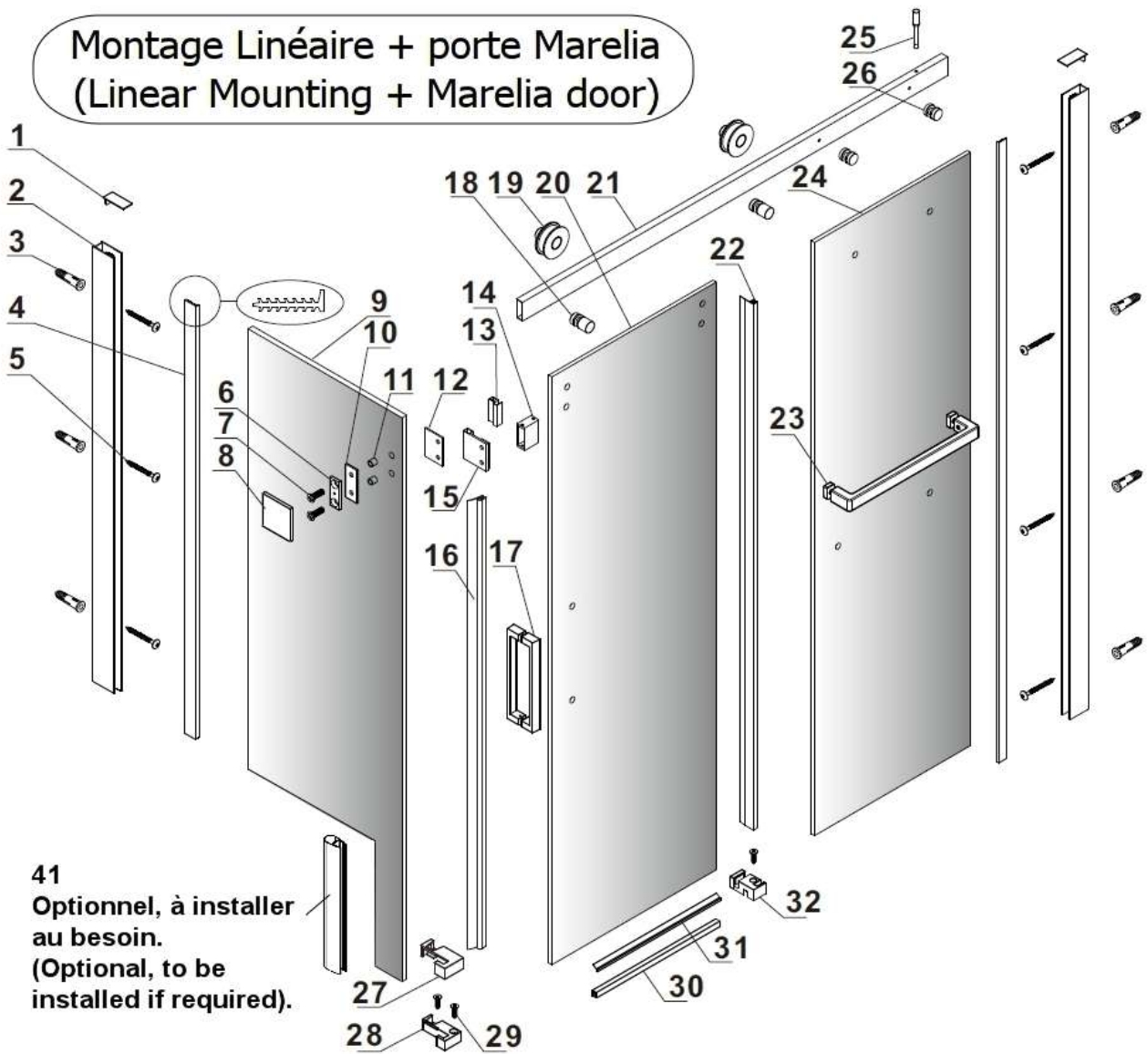


Step 6

A) Clean the excess of silicone and apply one last line of silicone on top, and on each side of the access panel. Let cure for 24 h before use.

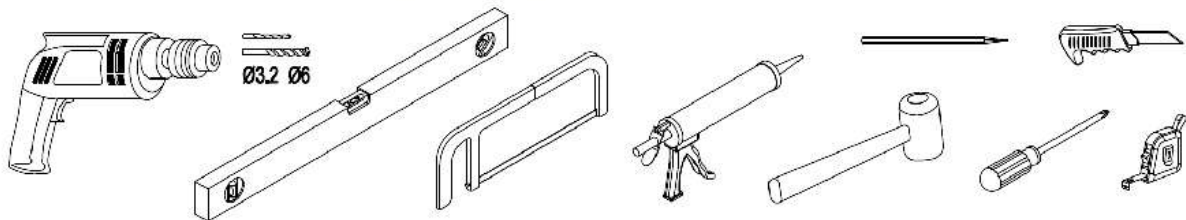


Montage Linéaire + porte Marelia (Linear Mounting + Marelia door)

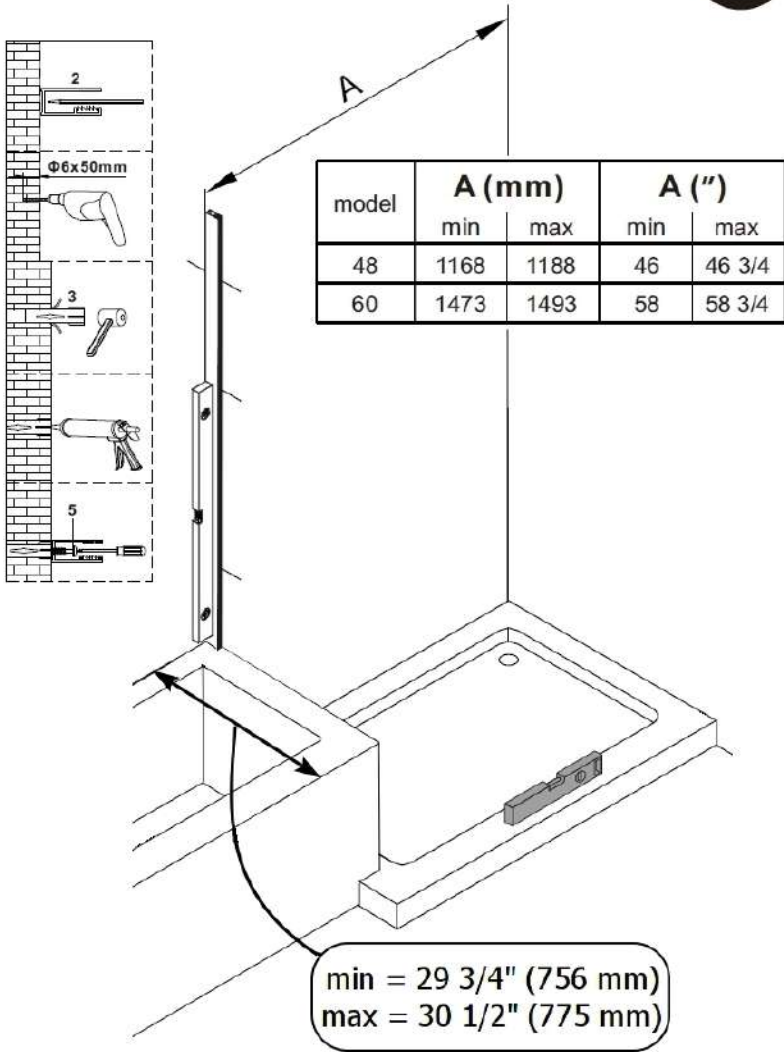


41
Optionnel, à installer
au besoin.
(Optional, to be
installed if required).

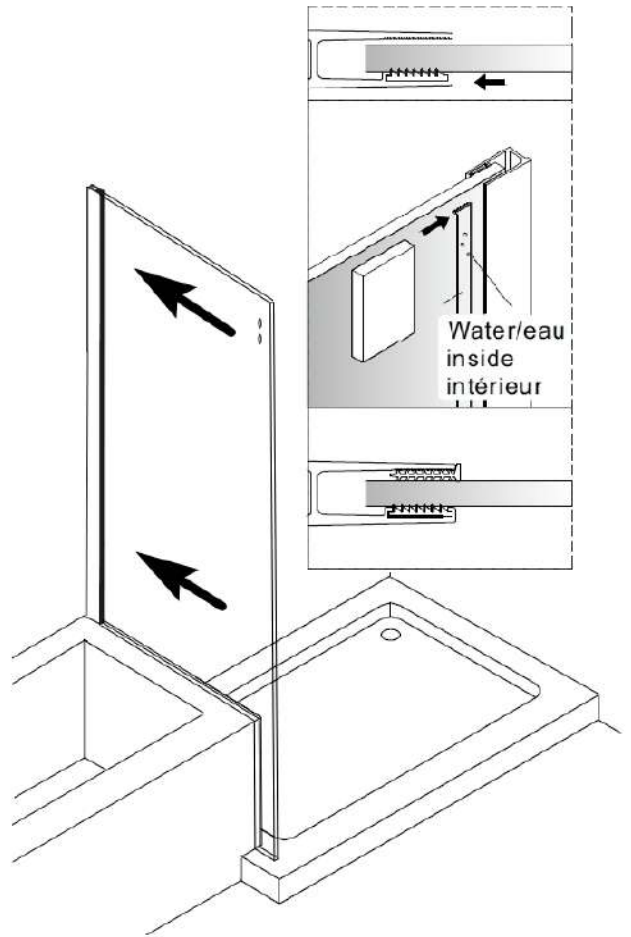
1 2X	2 2X	3 8X	4 2X	5 8X ST4X40	6 1X	7 2X	8 1X	9 1X	10 1X	11 2X
12 1X	13 1X	14 1X	15 1X	16 1X L=1886	17 1X	18 2X	19 2X	20 1X	21 1X	22 1X L=1855
23 1X	24 1X	25 1X	26 2X	27 1X	28 1X	29 3X ST4X25	30 1X	31 1X	32 1X	33 1X
34 1X	35 1X	36 1X	37 1X 2.5mm	38 1X 4.0mm	39 1X 3.0mm	40 2X	41 1X			



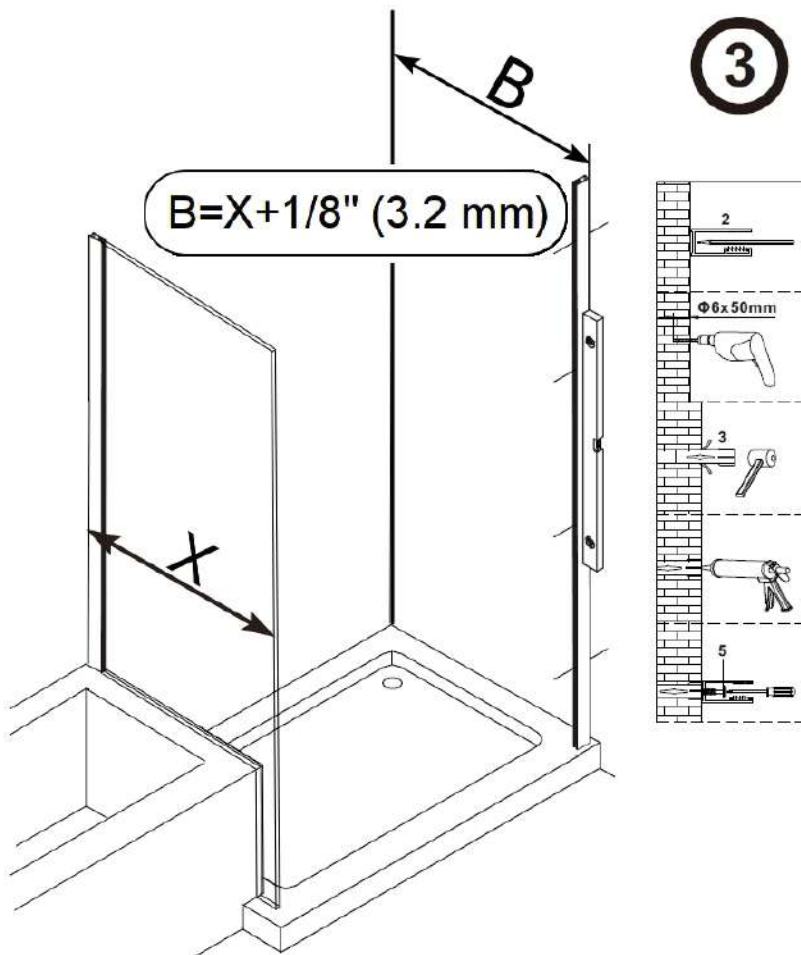
1



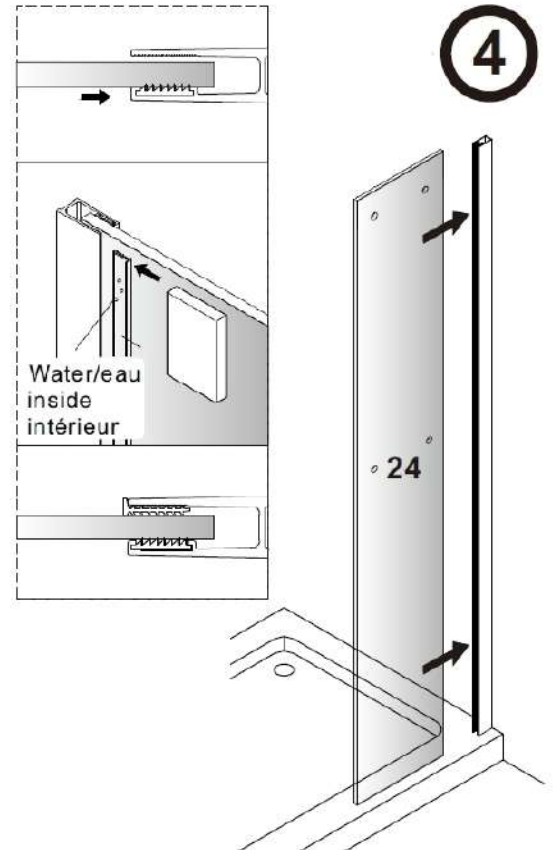
2



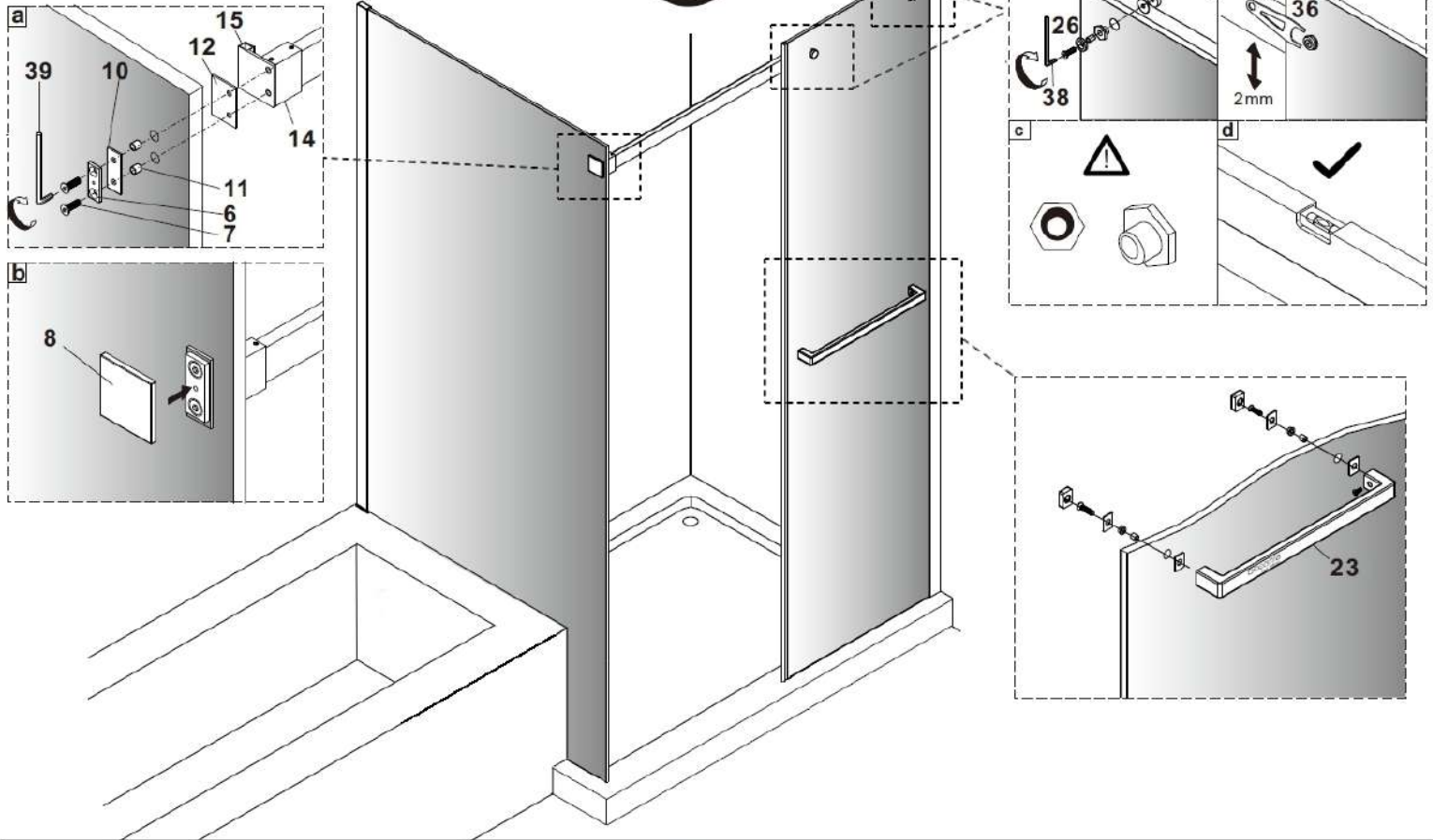
3



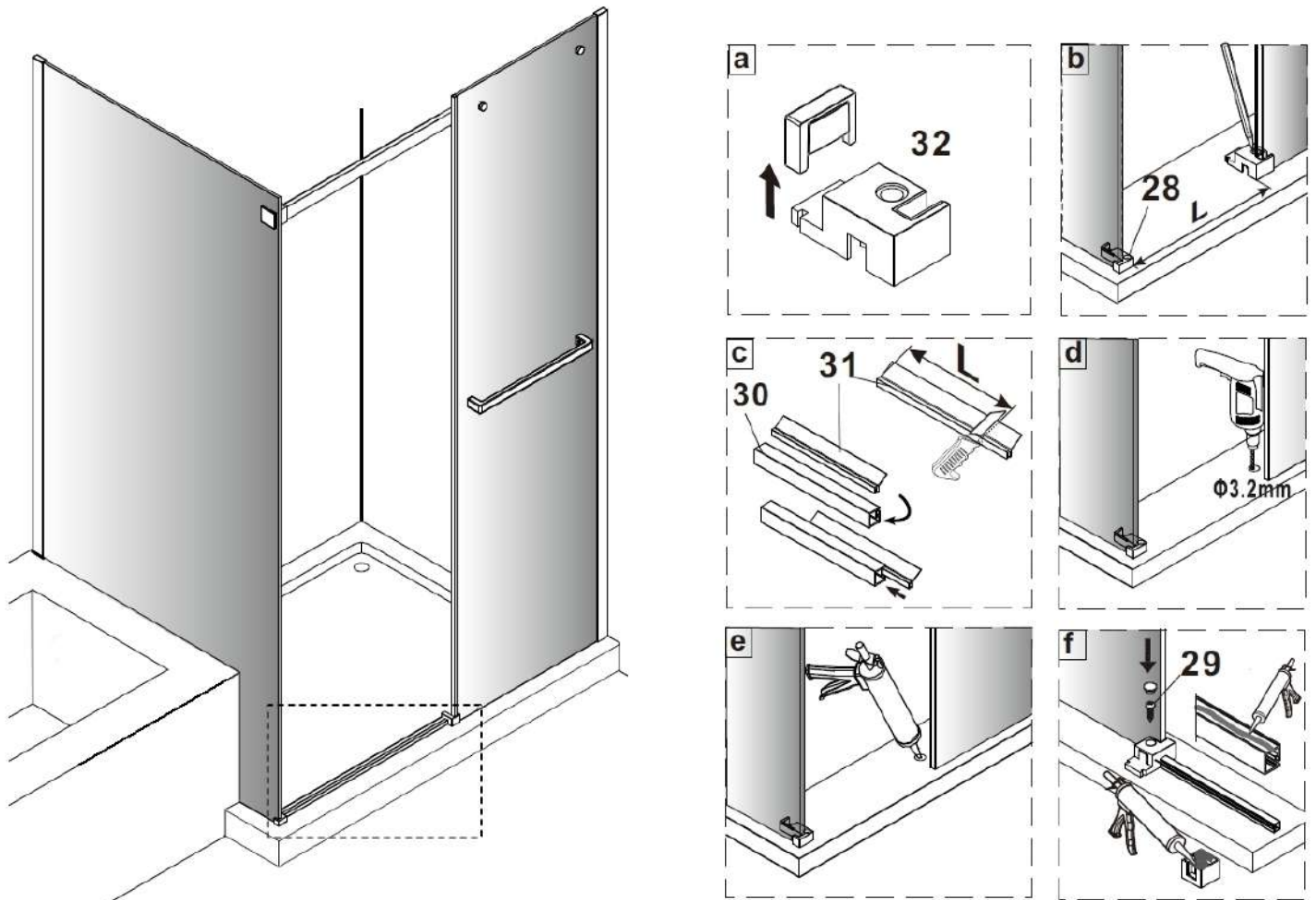
4

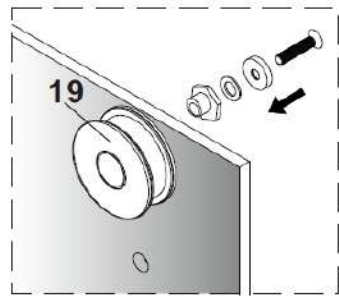


5

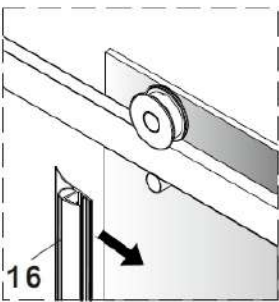
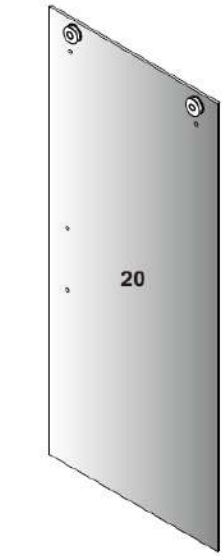
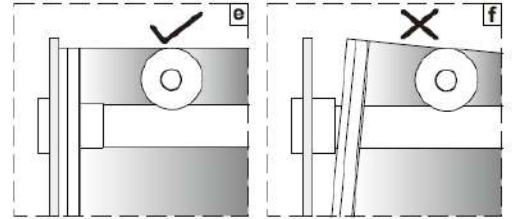
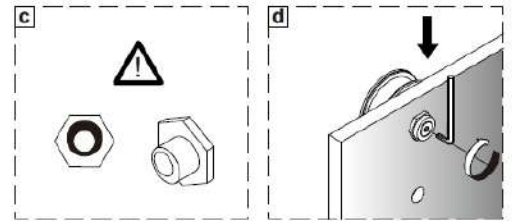
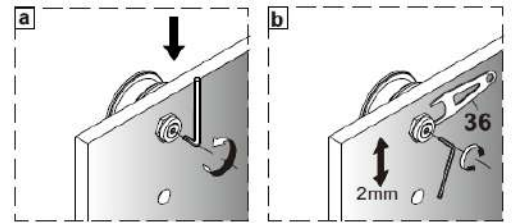
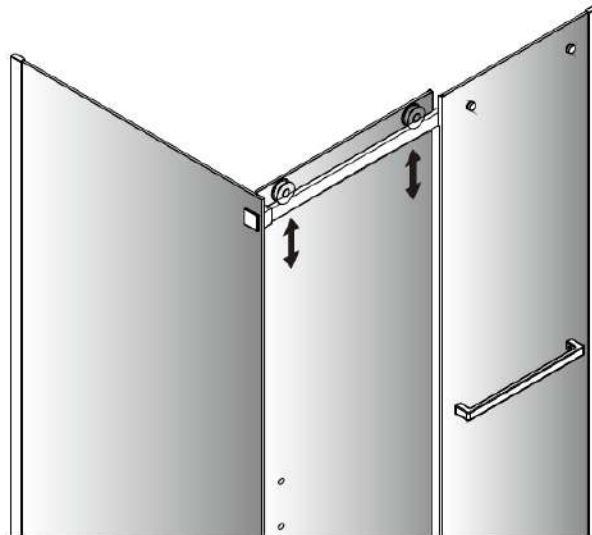


6

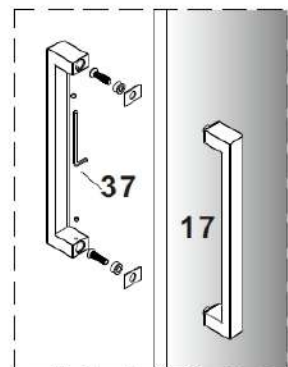
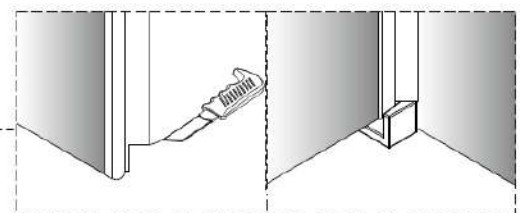
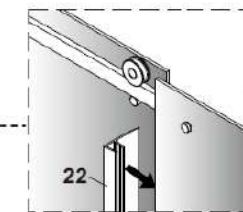
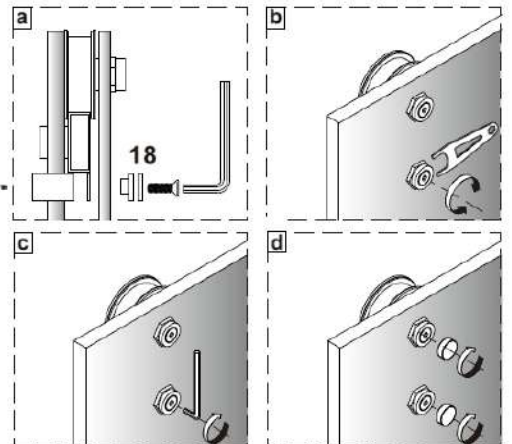
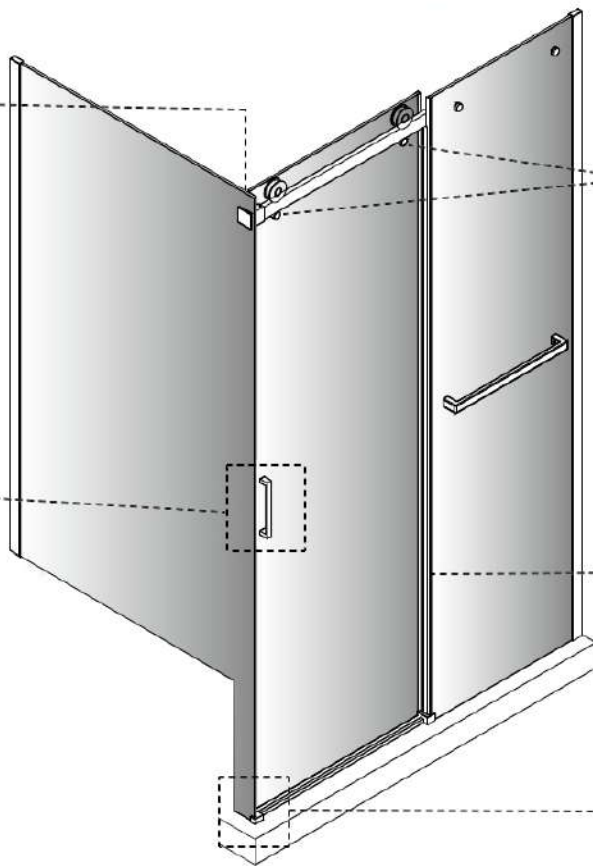




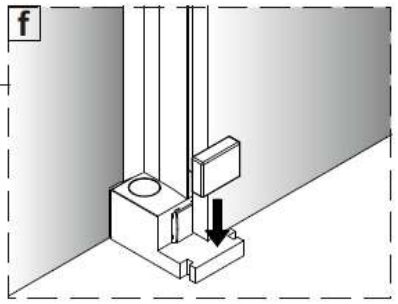
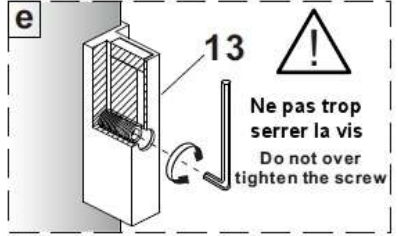
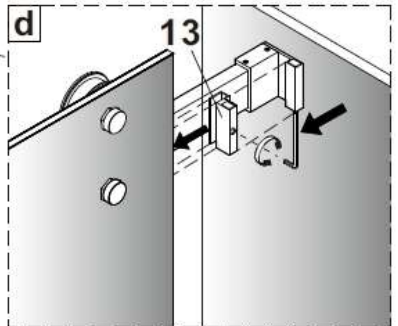
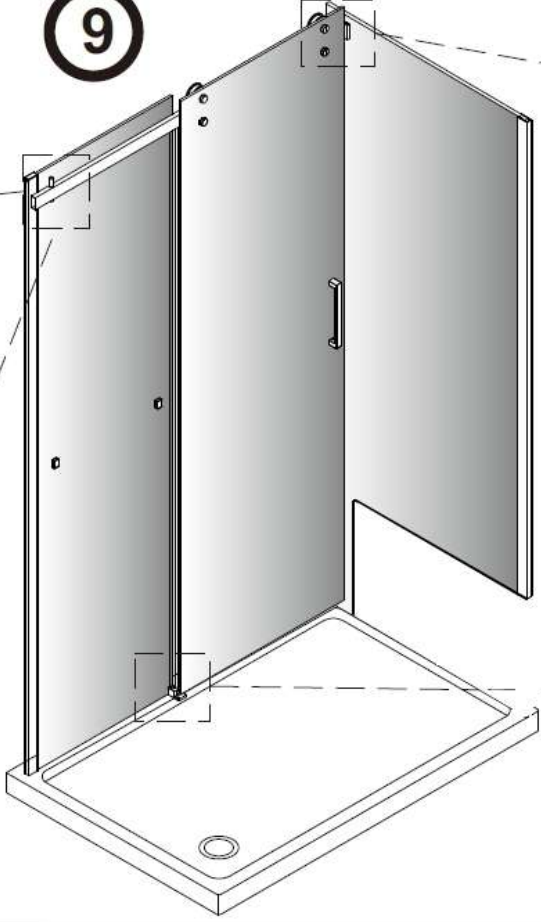
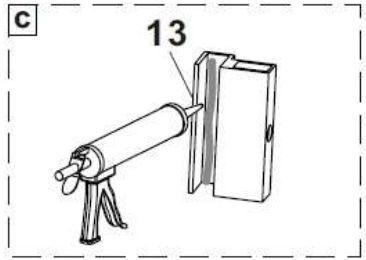
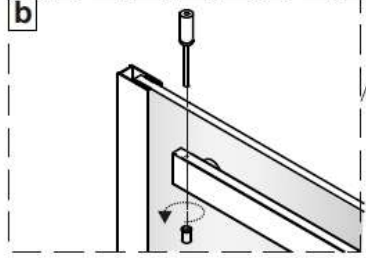
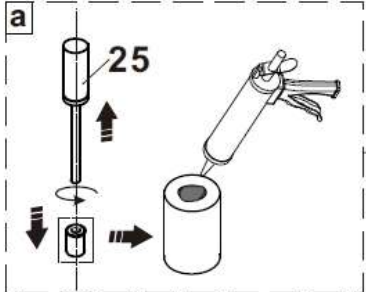
7



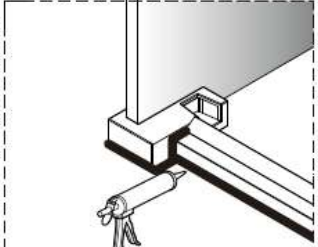
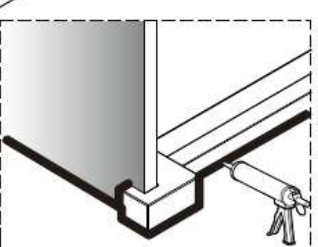
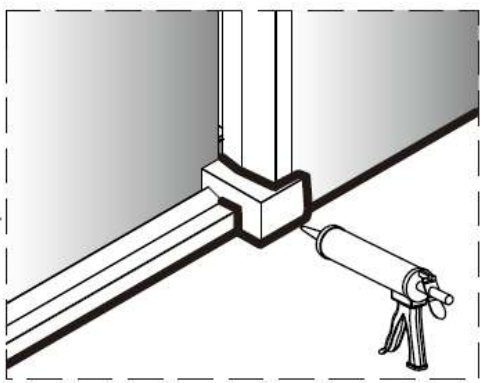
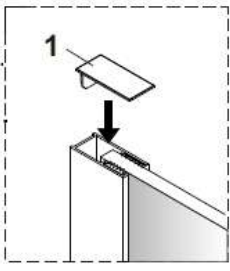
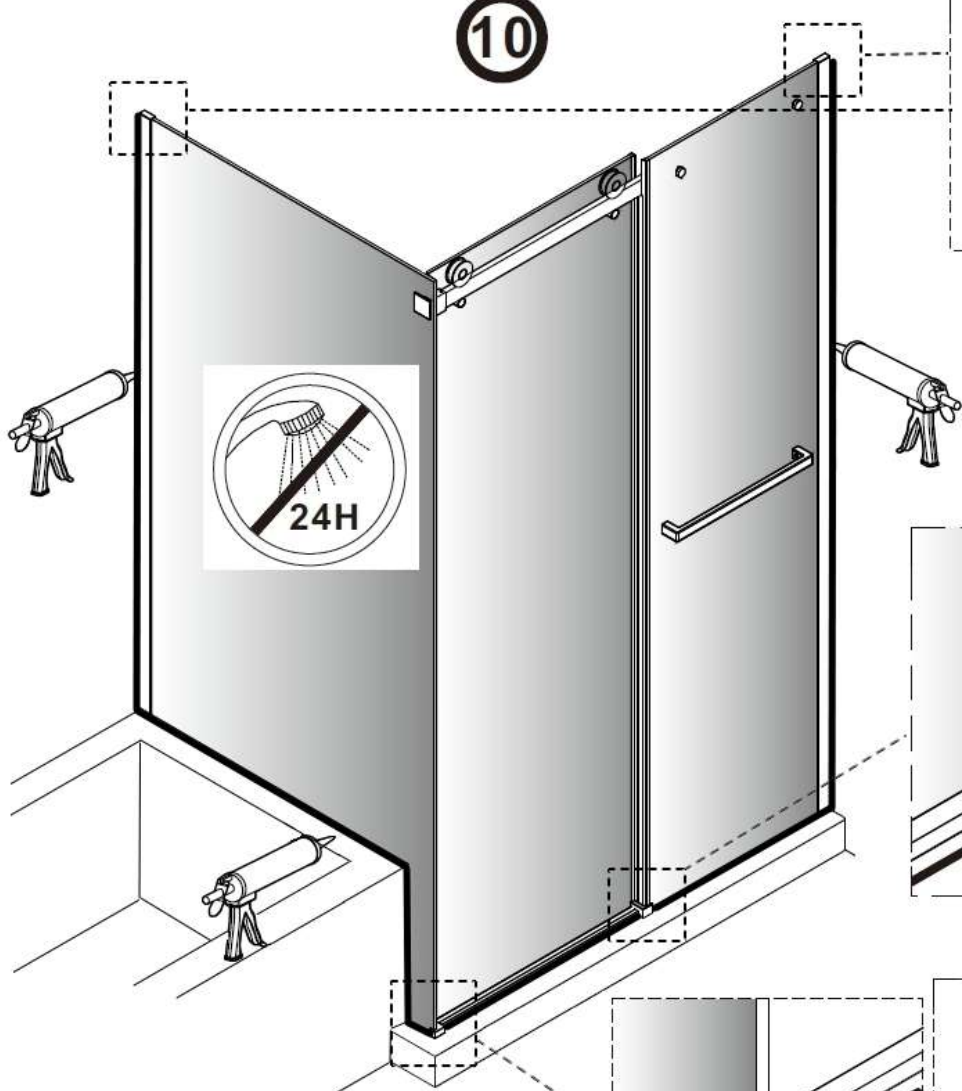
8



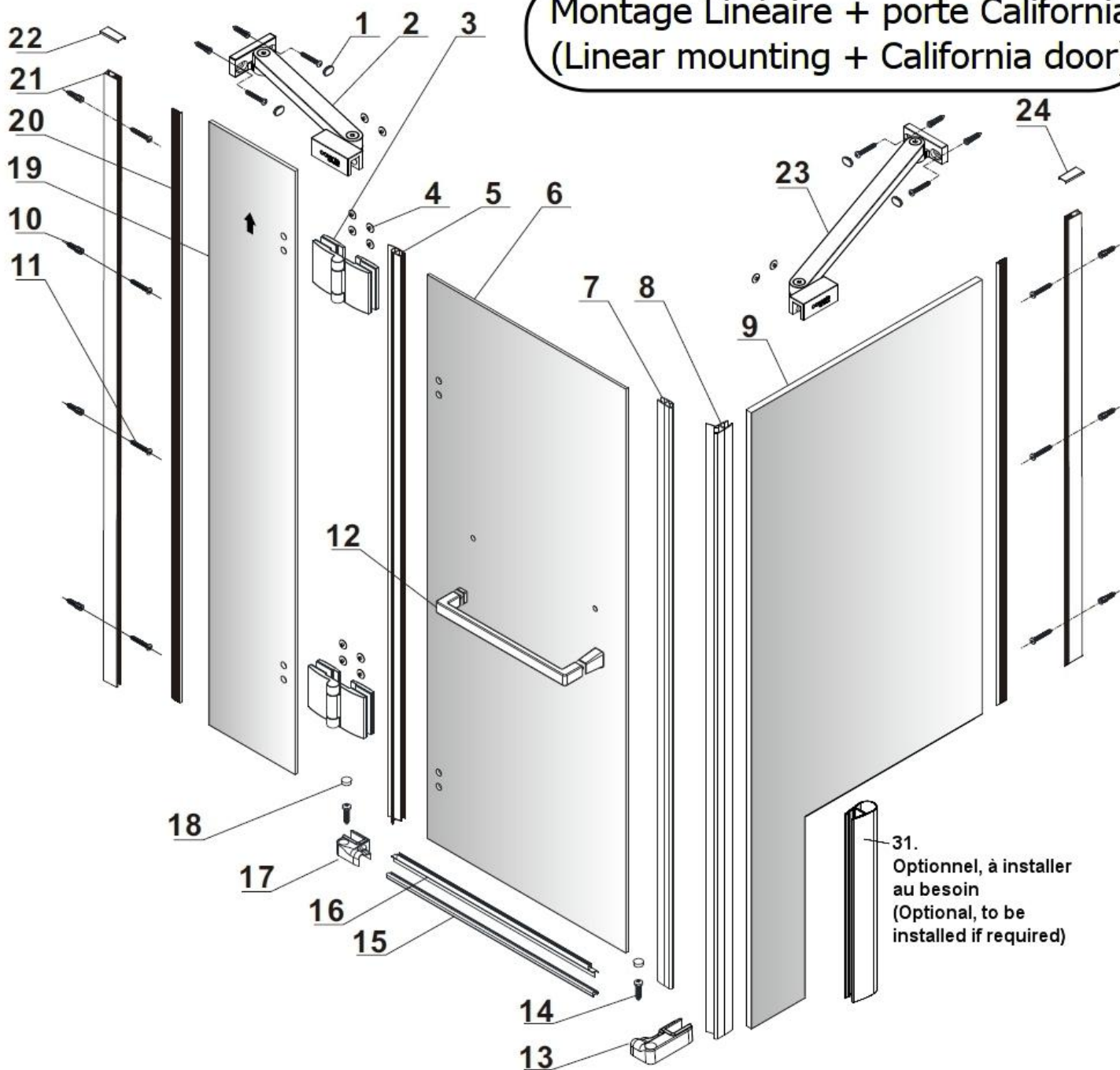
9



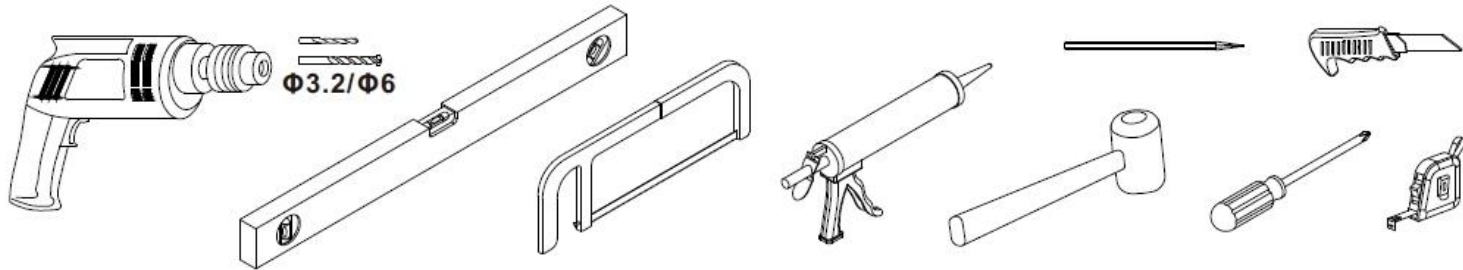
10



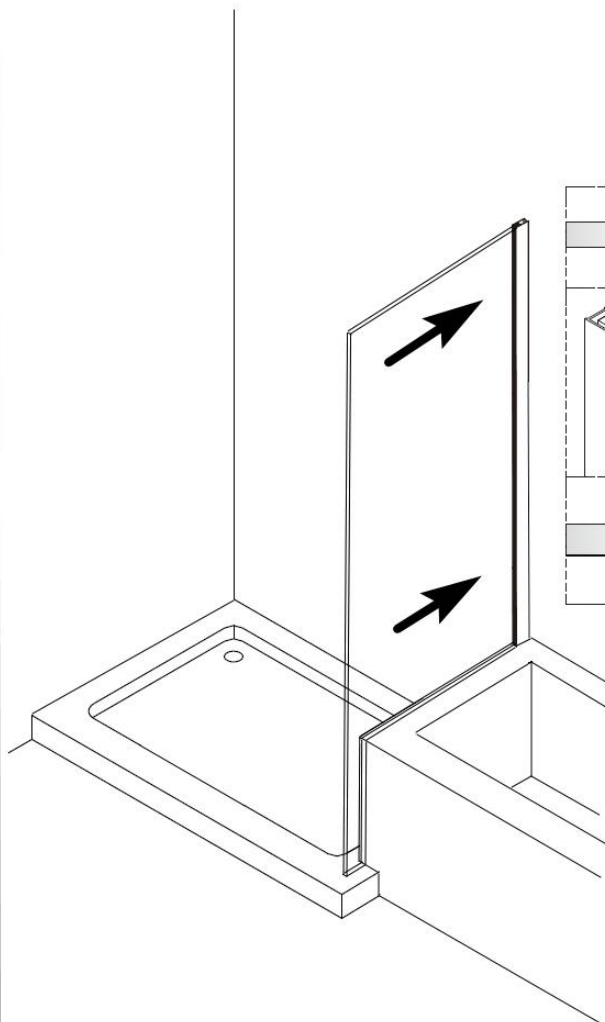
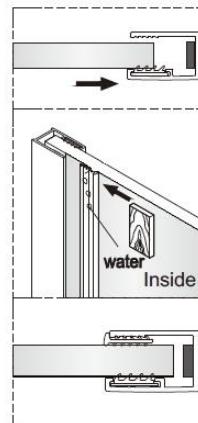
Montage Linéaire + porte California (Linear mounting + California door)



1 4X	2 1X	3 2X	4 12X	5 1X L=1998	6 1X	7 1X L=1980	8 1X L=2000	9 1X	10 14X	11 12X ST4X40
12 1X	13 1X	14 2X ST4X18	15 1X	16 1X L=650	17 1X	18 2X	19 1X	20 2X	21 2X	22 1X
23 1X	24 1X	25 1X	26 1X	27 2X	28 2X	29 1X 4mm	30 1X 2.0mm	31 1X		

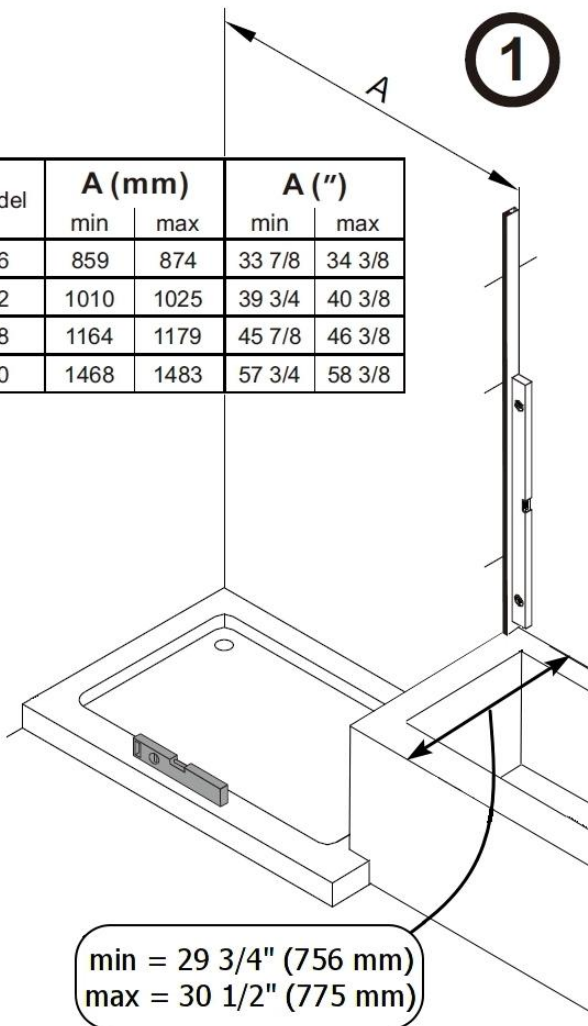
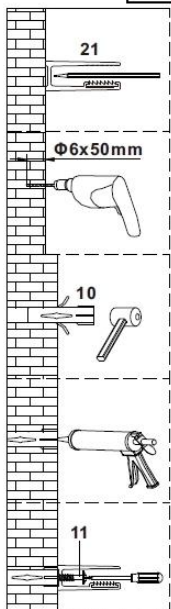


2



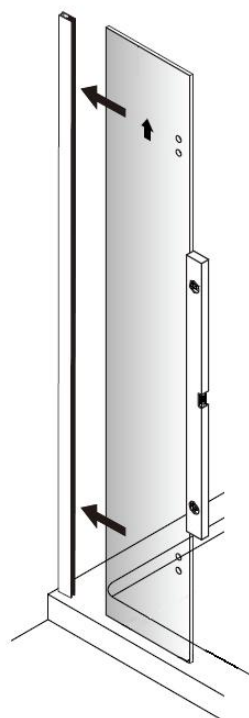
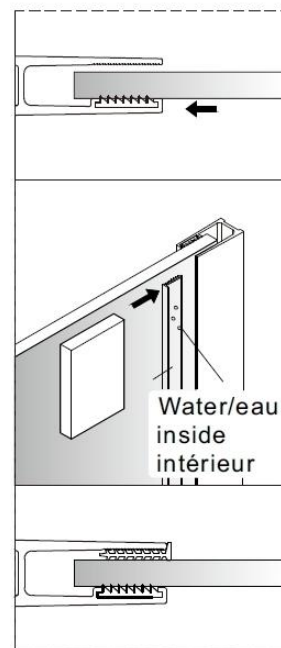
1

model	A (mm)		A (")	
	min	max	min	max
36	859	874	33 7/8	34 3/8
42	1010	1025	39 3/4	40 3/8
48	1164	1179	45 7/8	46 3/8
60	1468	1483	57 3/4	58 3/8



min = 29 3/4" (756 mm)
max = 30 1/2" (775 mm)

4



3

$B = X + 13/16"$ (21mm)

