

Installation procedure for REALITY shower stall



Serial number : _____

Model name : _____

Date of manufacture : _____

For warranty, please refer to our website: <http://www.oceania-attitude.com>

IMPORTANT SAFETY INSTRUCTIONS: CAREFULLY READ AND FOLLOW ALL INSTRUCTIONS PRIOR TO INSTALLING THE UNIT.

1. Use this unit only for its intended use as described in this manual. Do not use attachments not recommended by the manufacturer.
2. Never drop or insert any object into any opening.
3. **WARNING:** To avoid injury, exercise care when entering and exiting your shower.
4. **WARNING:** Risk of accidental injury, or drowning; do not use alcohol, drugs or medication before or during the use of the shower.
5. **WARNING:** Risk of electric shock; do not allow electric appliances such as hair dryer, lamp, telephone, radio or television within 1.5 meter (5 feet) of this shower.

SHOWER STALL INSTALLATION

The services of a professional plumber are required for the installation of the shower.

Important: please follow these instructions step by step. Failure to do so could result in improper installation of your shower.

1. The minimum structural strength required to support the unit is 600 lbs.
2. Prepare the location of the shower, ensuring that all necessary plumbing connections are in place.
3. It is recommended not to close the walls behind the shower, because it will reduce the space available for the plumbing.
4. Before beginning the installation of your new shower, make sure that the walls and the floor are perfectly leveled and that the walls form a perfect 90° angle to the floor. If not, the installation of your shower door could be much more difficult, and the final result may not be satisfying.

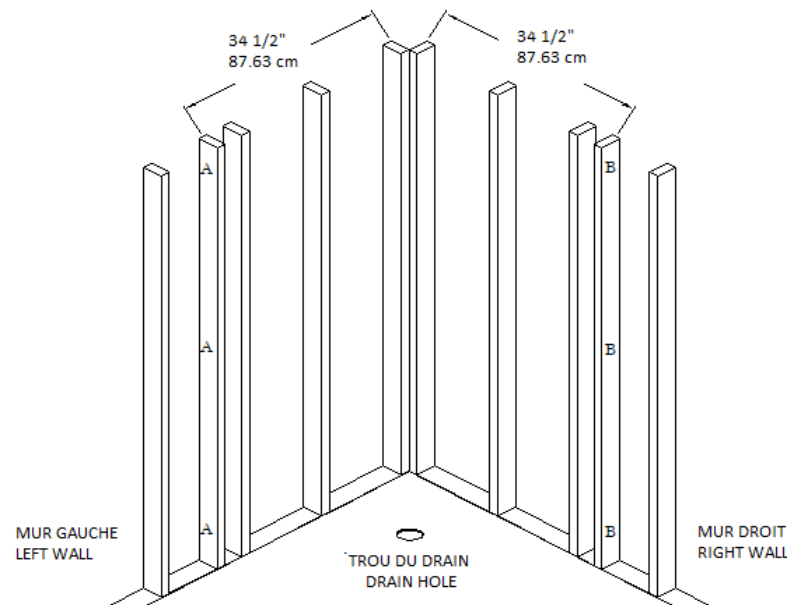


Figure 1

5. In order to secure your shower to the walls, you must install 2 two-by-fours (A-B) vertically, as shown on figure 1. Make sure they are leveled. The two-by-fours must be placed where the shower's outer lips touch the wall, for a REALITY shower stall, the center of the two-by-fours will be at 34 1/2" from the corner (see figure 1).
6. Put the shower stall in its final location. Make sure the front diameter of the shower base sits completely flat on the floor. Level the shower using the 2 leveling legs. (see figure 2)

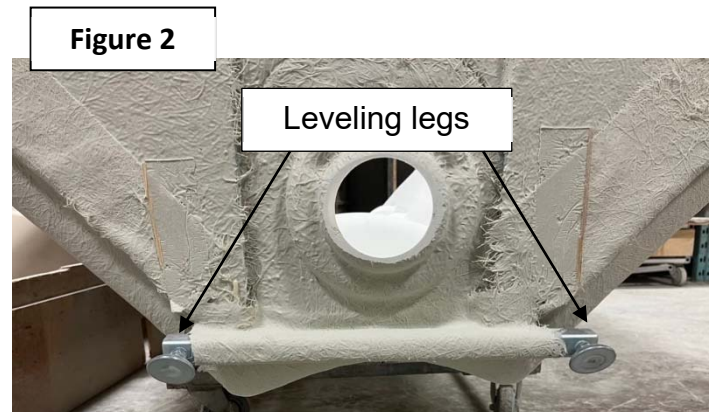


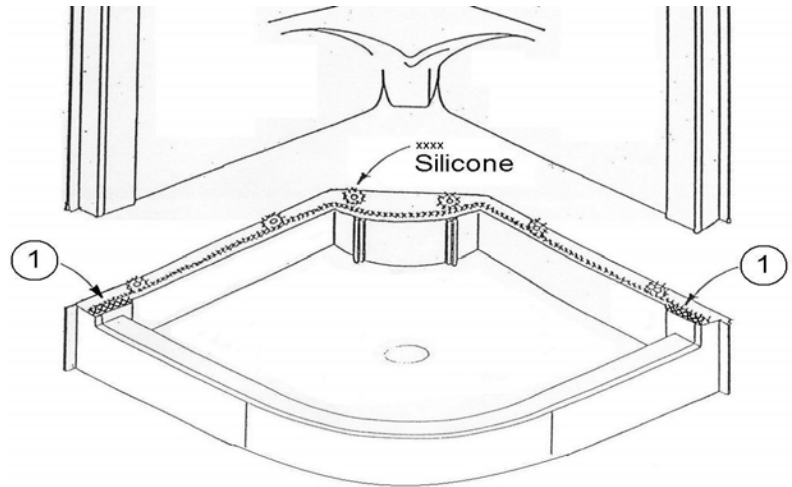
Figure 2

7. This step applies only to sectional (two-piece) showers. If you own a one-piece shower, go directly to step 8.

Split the two sections of the shower in order to get it into your bathroom. On the lower section, apply a line of silicone on the shower base (hidden section) and around each hole (see figure 3). Then, reinstall bolts and washers, correctly align both sections and secure.

NOTE: Ensure that the two sections where the door rests (see indication 1) are filled with enough silicone.

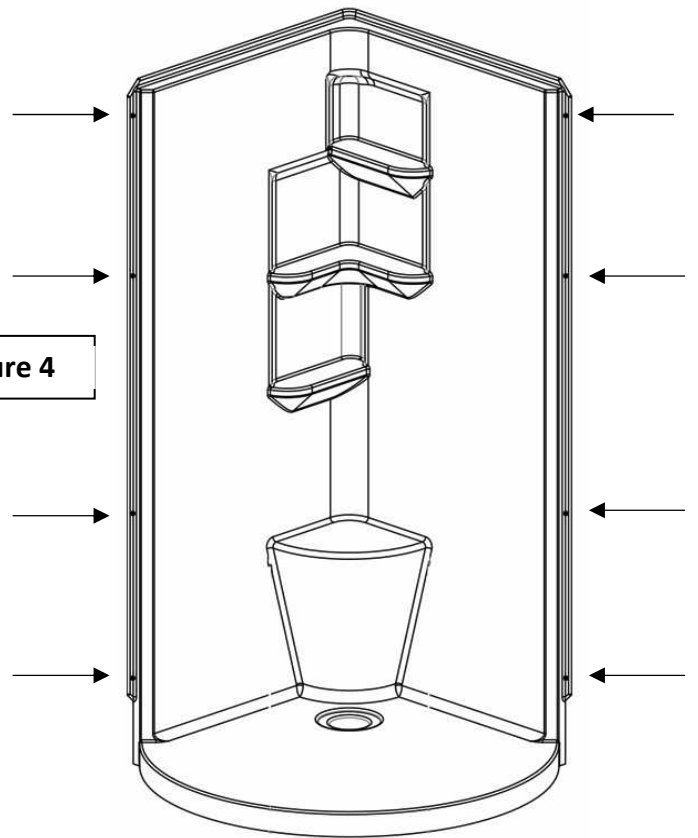
Figure 3



8. Using a drill and a drill bit that is slightly bigger than the screws (not supplied) drill the acrylic on the outer lip (hidden section after installation is complete) in 4 places on each side. Align the holes with wall studs (see figure 4).

NOTE: Be very careful when performing this step to avoid damaging the acrylic of your new shower.

Figure 4



9. Drill the drain hole in your bathroom floor. It is important to make a hole of at least 6" diameter to allow adjustment when performing final installation. The drain hole is located 12" from each wall (see Figure 5). Depending on the shower model, this measurement can vary slightly. Verify on the shower that these dimensions are accurate.
10. It is now time to drill the holes in the shower to install faucets. Use extreme precaution to avoid acrylic damage and scratches. Depending on the faucets that you have chosen, the drilling dimensions will vary. Make sure that you follow the faucet manufacturer's instructions.
11. If you do not have access to the back of the shower after final installation, connect plumbing to the shower. However, if you still have access to the back of the shower later on, you can connect all plumbing at the very end of the installation, it will facilitate final shower positioning.

NOTE: It is strongly recommended to have access to the plumbing (local plumbing code always recommends having an access panel to the plumbing).

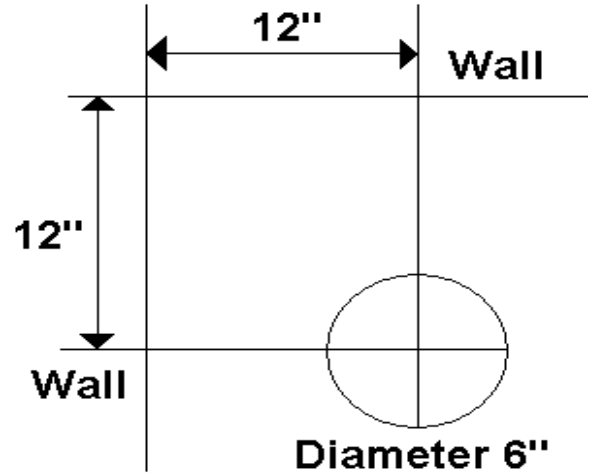


Figure 5

To facilitate door installation, make sure that the walls and the floor are perfectly leveled, and that the walls form a 90° angle to the floor.

12. Using a 4' level, install the shower on vertical surfaces A and B, as shown on Figure 6. When the shower is perfectly leveled, secure it on the previously installed two-by-fours, using screws and washers. Always secure the shower through pre-drilled holes; installing screws directly into the acrylic can cause the acrylic to crack.

13. Once the shower is installed, the measurements C, D & E must all be similar.

14. If the measurements in step 13 are similar, then make sure that F & G are also similar.

NOTE: If any of these measurements are not similar, you will have problems installing the shower door.

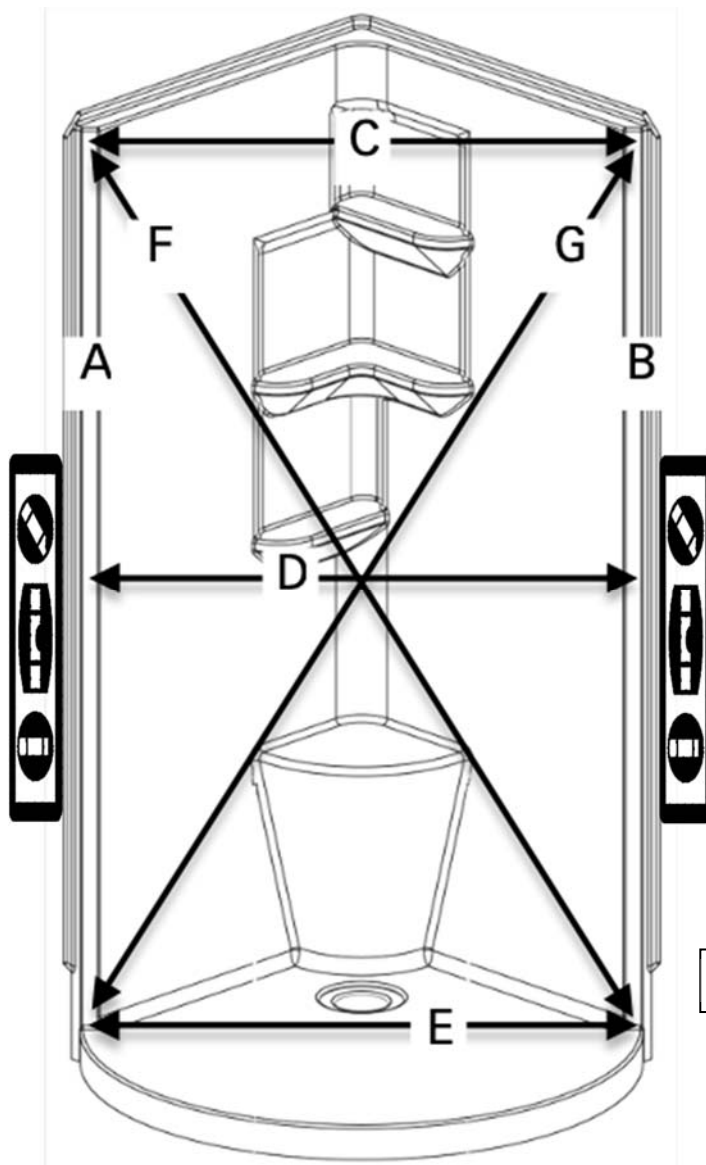


Figure 6

Your shower is now installed :

- a) Check that the shower drain works normally as it should.
- b) The shower must be properly cleaned of all installation debris before use.
- c) Before installing the shower door and finishing up the wallcovering, you should perform a water draining test at the bottom of the shower as well as on the shelves, to ensure that there is no water accumulation anywhere.

MAINTENANCE

1. The acrylic of your new shower has a glossy finish. In order to preserve that finish, never use abrasive cleaners containing scouring powder (ex. Ajax, Vim, etc), steel wool, acetone (nail polish remover), dry cleaning fluid, window-cleaning products, and ammonia compound, gasoline, pine oil, paint thinner, mineral or benzene oil on the acrylic surface.
2. Clean your shower once a week using a soft sponge or cloth with liquid detergent (ex. Fantastik Original, Hertel, Simple Green, Greased Lightning, M. Clean, etc.) and warm water. Make certain the product is recommended for use on acrylic by the manufacturer (see product label).
3. Remove grease, oil, paint or ink stains using isopropyl alcohol. Rinse well and dry using a soft, clean cloth.
4. Mineral deposits and soap films can develop on your shower accessories. Regular cleaning is recommended, using mild liquid soap and, if needed, a Teflon scrubbing pad.
5. Regular car wax will restore your shower's original luster. Polish and clean your shower using mild soap. (We recommend polishing your shower every six months).
6. Small scratches can be removed by buffing lightly with a clean cloth and using either an automotive polishing liquid or toothpaste containing a fine polishing ingredient (like Arm & Hammer or other). For deeper scratches, sand the surface lightly with 400 grit "wet or dry" paper and buff with fine-grit buffing compound. Clean your shower as described above and you will see your shower shine as new again. For bigger scratches and/or any other considerable break, please contact us for an acrylic repair specialist referral.

Head Office:

**591, avenue des Entreprises
Thetford Mines (Québec)
Canada G6H 4B2**

Toll free

1 877-332-4224

Fax

1 866-460-4334