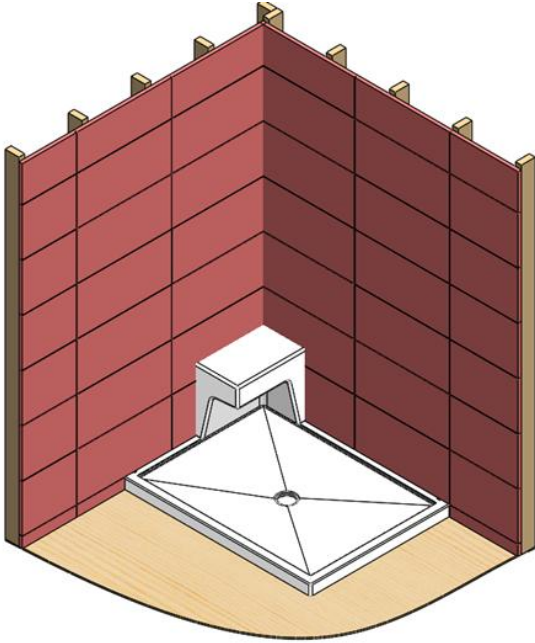


Installation Procedure for Sleek Shower Seat



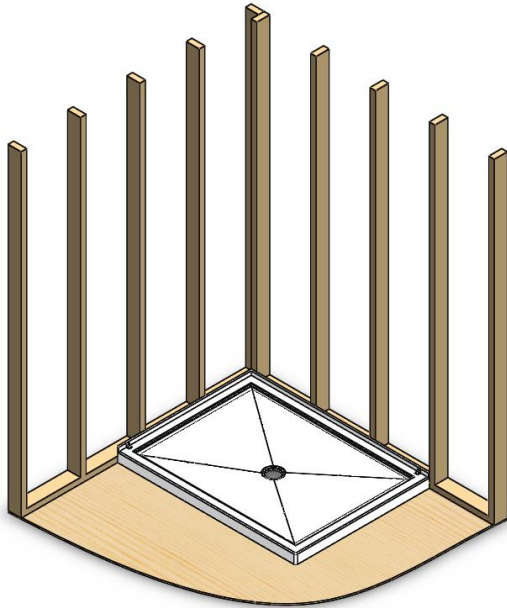
Serial Number : _____

Model Name: _____

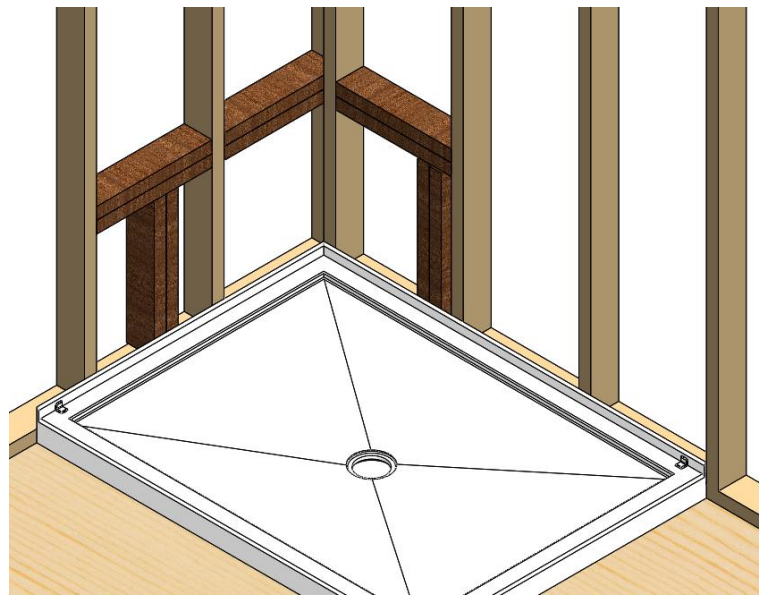
Date of Manufacture _____

-For Warranty, please refer to our website: <http://www.oceania-attitude.com>

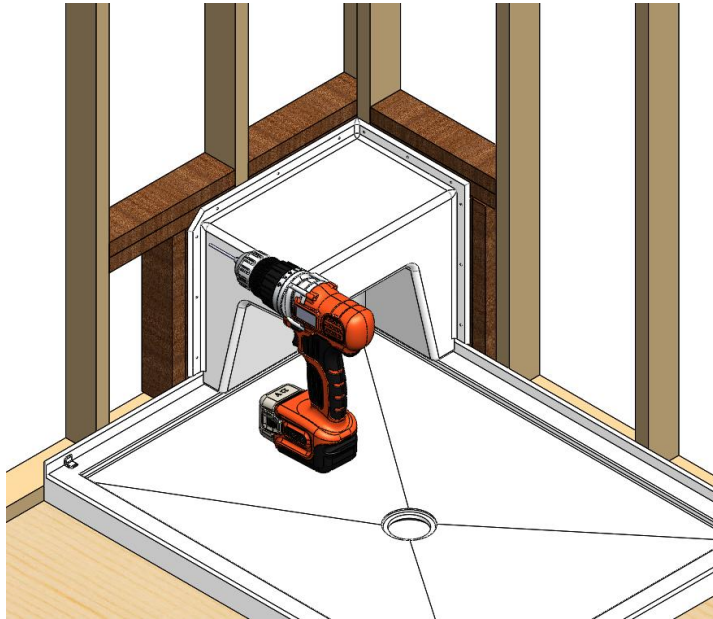
1. Install the shower base as mentioned in the Instruction Booklet provided with the shower base.



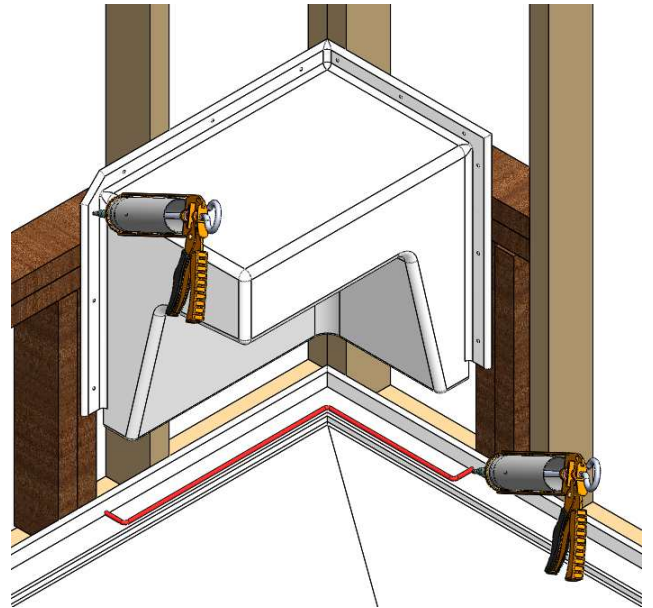
2. Solidify the structure in which the shower seat will be mounted.



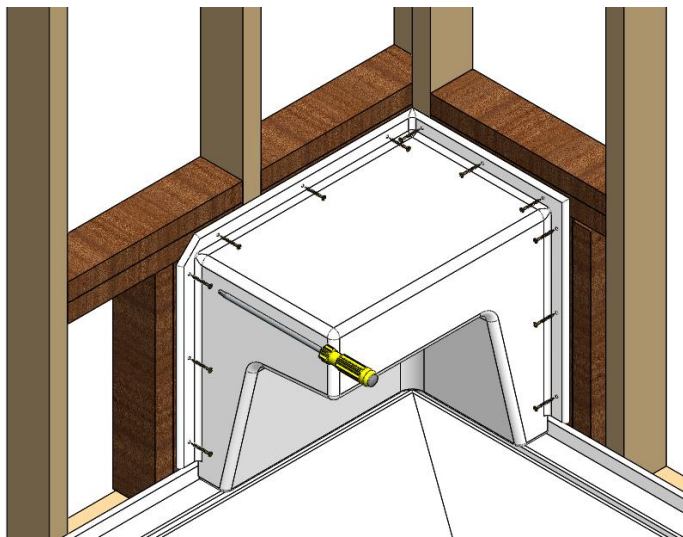
3. Place the seat in position, well supported on the shower base and the studs. Using a 1/8" drill bit, drill in the tile flanges next to the studs. Do not drill into the studs (2x4).



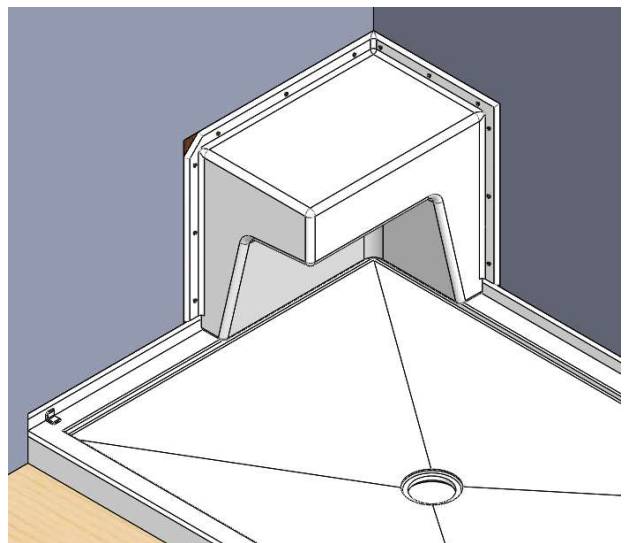
4. Remove the seat, apply a bead of silicone on the shower base and in each of the holes in the tile flange.



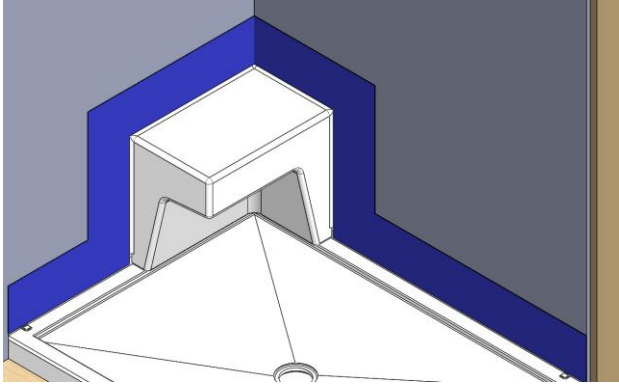
5. Position and secure the seat using screws #8 by 1 1/2" in length. Do not tighten the screws too much, it could break the tile flanges.



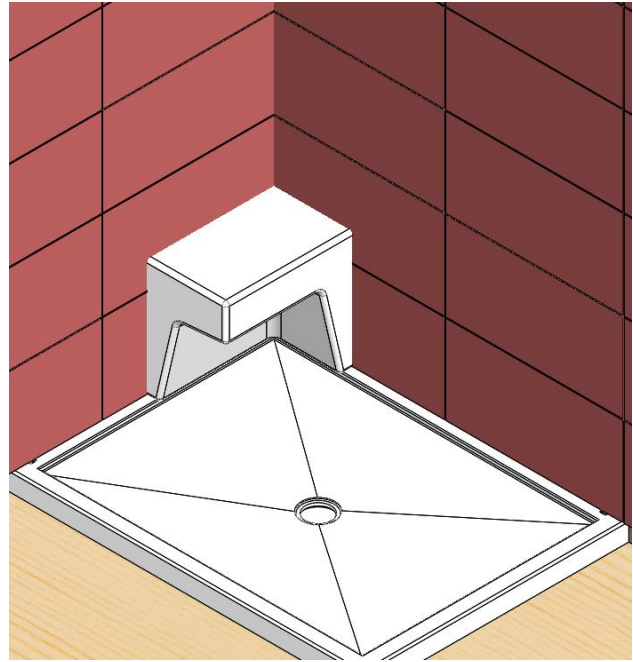
6. Install the drywall.



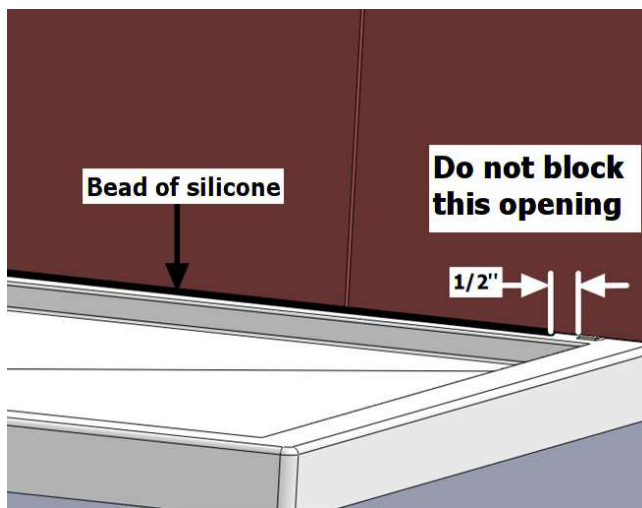
7. Install a waterproof membrane (not provided by Oceania) on drywall and tile flange. The membrane should make contact with about 5" (127mm) of the drywall and 1" (25.4mm) of the tile flange. It is the installer's responsibility to seal the junction between the drywall and the tile flange.



8. Finish the wall (tiles). Make sure to place the tiles on the seal guard (small bump of 1/8" high).



9. Once the ceramic is installed, apply a bead of silicone between the base and the ceramic but leave a minimum opening of 1/2" (12.7 mm) between the inside of the base and seal guard.



10. Fill the outer portion of the opening with silicone (between the outside of the base and the guard). Make sure that the silicone goes all the way behind the ceramic. Let it dry or cover the silicone and proceed with shower doors installation.

