

Installation procedure for SOAKER BATHTHS



Serial Number : _____

Model Name : _____

Date of manufacture : _____

- For Warranty, please refer to our website: <http://www.oceania-attitude.com>

IMPORTANT SAFETY INSTRUCTIONS: CAREFULLY READ AND FOLLOW ALL INSTRUCTIONS PRIOR TO INSTALLING THE UNIT

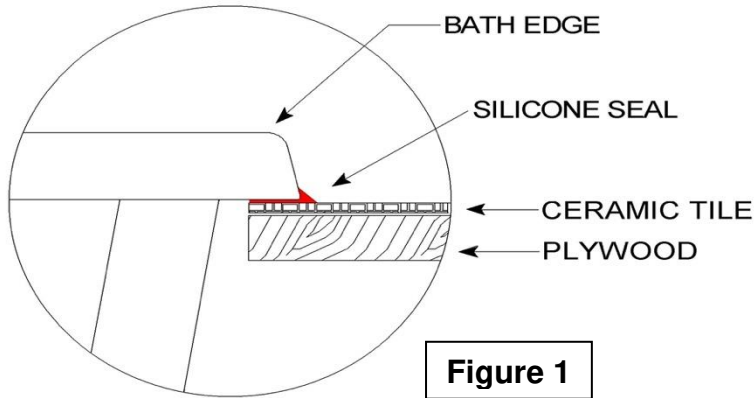
WARNING: When using this unit, basic precautions should always be followed, including the following:

- **DANGER:** To reduce the risk of injury or drowning, do not permit children to use this unit unless they are closely supervised at all times.
- Use this unit only for its intended use as described in this manual. Do not use attachments not recommended by the manufacturer.
- Never drop or insert any object into any opening.
- **WARNING:** To avoid injury, exercise care when entering and exiting your bathtub.
- **WARNING:** Risk of accidental injury, or drowning; do not use alcohol, drugs or medication before or during the use of the bathtub.
- **WARNING:** Risk of electric shock; do not allow electric appliances such as hair dryer, lamp, telephone, radio or television within 1.5 meter (5 feet) of this bathtub.
- **WARNING:** Risk of hyperthermia and possible drowning; Water temperature in excess of 38°C may be injurious to your health. Check and adjust water temperature before use.
- If you suffer from headache, dizziness or nausea, get out of the bath and take a cool shower. The water in your bath could be too hot and you may be suffering from hyperthermia. If this problem persists, consult your doctor.
- Inappropriate use of essential oils, at full strength, may cause skin irritation and could damage the bath surface.
- **WARNING:** Some brands of *Wintergreen* essential oils have been known to damage acrylic surfaces.

The services of a professional plumber are required for the installation of the bathtub.

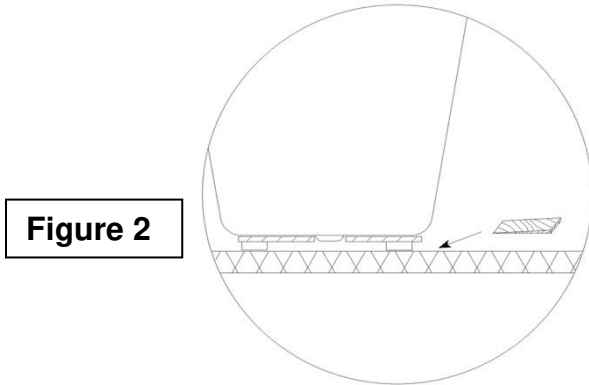
1. The minimum structural strength required to support the unit is 1200 lbs, 545 kg (tub and water).
2. To avoid vibration problems, leave a small space of 1/16" between the podium (deck) and the bath lip, seal that space with silicone.
3. For units with tile flange, leave a small space of 1/8" between the bath lip and the tiles on the walls, seal that space with silicone.
4. The tub must be solidly supported at its base and leveled. **It should not be suspended by the bath lip.**
5. For units with one or many sided skirts, the bathtub must be entirely supported by the wooden feet or by the leveling legs. **The skirt(s) should not touch the floor. Leave a small space of 1/8" between the skirt(s) and the floor.** Seal that space with silicone.
6. Prepare the location of the tub, ensuring that all necessary connections (electrical and plumbing) are in place.
7. Check that the tub drain works normally as it should.
8. The bathtub must be properly cleaned of all installation debris before filling it up with water.
9. Before finalizing the installation, it is important to test that the bathtub drains properly. Check that there is no water on the bath edges and in the bottom of the bathtub. NOTE: It is normal that a few small puddles remain. If the test is not done, this will invalidate the warranty.

INSTALLATION ON DECK :

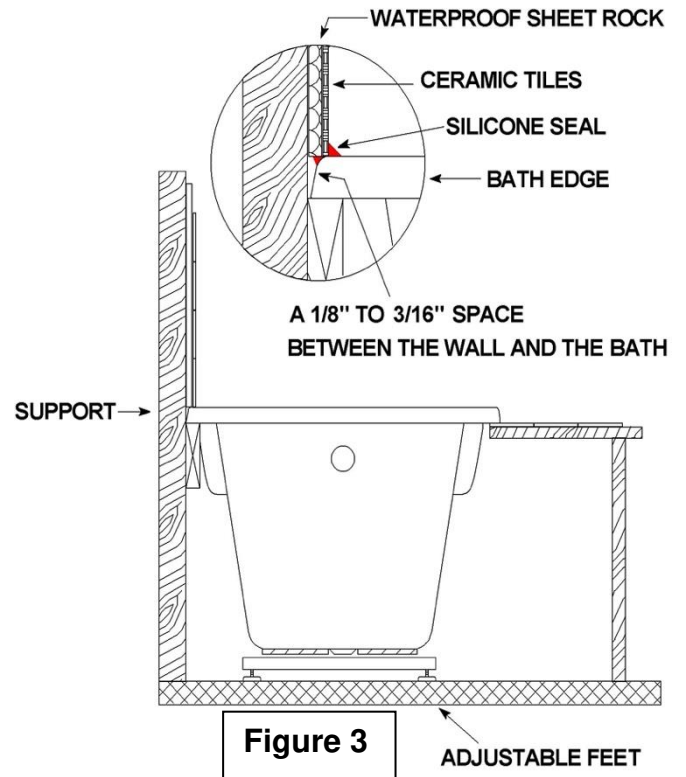


INSTALLATION WITHOUT ADJUSTABLE FEET :

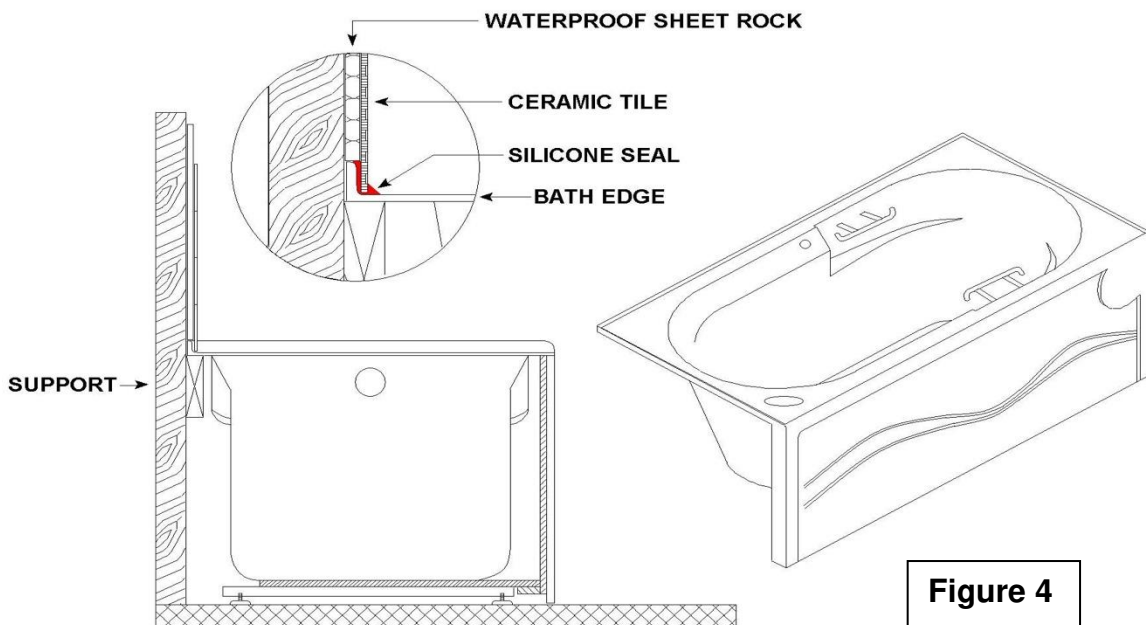
LEVEL WITH WOOD SHIMS



INSTALLATION AGAINST A WALL

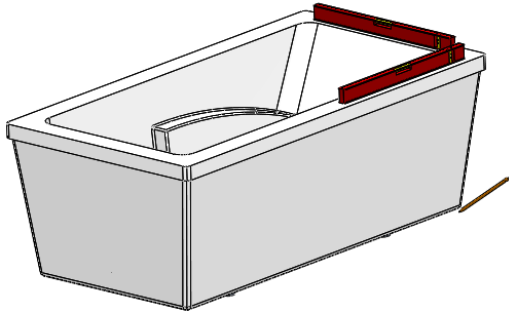


INSTALLATION AGAINST A WALL WITH TILE FLANGE :

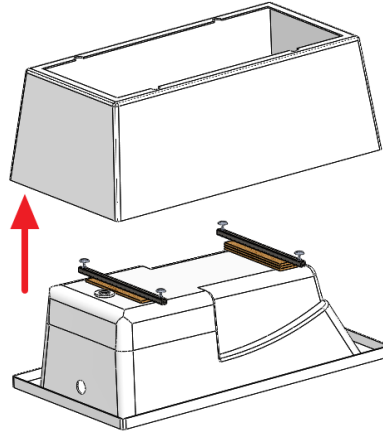


TWO PIECES FREESTANDING BATH INSTALLATION:

1. Place bath in its final position and adjust leveling legs to make it leveled in both directions. Draw a reference line on the floor (around the skirt).

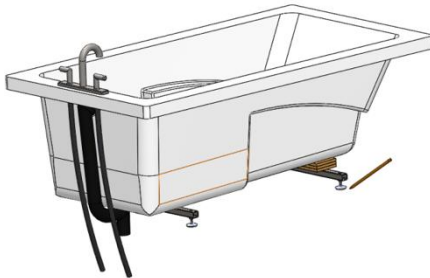


2. Flip the bath, remove the screws that hold the skirt to the bathtub and remove the skirt.

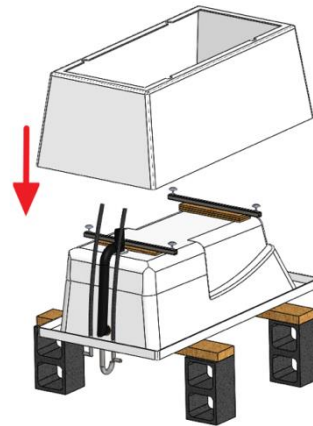


3. Install faucet, drain and overflow. Use flexible hoses for hot and cold water supply. Make sure the overflow is narrow enough to fit between the bath and the skirt.

Connect bath drain into the floor drain without any glue to make sure the installation is appropriate. Draw a mark around each of the 4 legs.

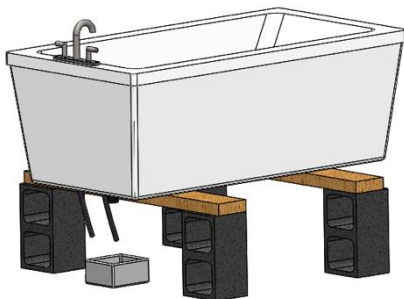


4. Flip the bath upside down on blocks and re-install the skirt with the screws removed in step 2.



5. Flip the bath/skirt assembly on the blocks. Make required connections (hot/cold water, chromotherapy light, keypad, water detector, blower). For certain models, the blower should be installed somewhere else than under the skirt to allow an easy access to it.

Test water supply connections and test drain to make sure there is no leakage. After testing, use a small container to collect water under the bath.



6. Apply a fair amount of silicone on the floor, onto the 4 spots marked in step 3 (4 legs).

7. Remove the blocks and put down the bath in its final position while connecting the drain.

Note : To lift the bath in the future, remove the drain and overflow from inside the bath and lift the bath/skirt assembly.

MAINTENANCE

1. The acrylic of your new bathtub has a glossy finish. In order to preserve this finish, never use abrasive cleaners containing scouring powder (ex. Ajax, Vim, etc), steel wool, acetone (nail polish remover), dry cleaning fluid, window-cleaning products, and ammonia compound, paint thinner, mineral or benzene oil on the acrylic surface, the jets and the handles of your bath.
2. Clean your bath once a week using a soft sponge or cloth with a liquid detergent (ex. Fantastik Original, Hertel, Simple Green, Greased Lightning, Mr Clean, etc.) and warm water. Make sure the product is recommended for use on acrylic by the manufacturer (see product label).
3. Remove grease, oil, paint or ink stains using isopropyl alcohol. Rinse well and dry using a soft, clean cloth.
4. Mineral deposits and soap films can develop on your bathtub accessories. Regular cleaning is recommended, using mild liquid soap and, if needed, a Teflon scrubbing pad.
5. For small scratches or deeper scratches, and/or any other considerable break, please contact us for advice on how to proceed and/or an acrylic repair specialist referral.

Head Office:

**591, avenue des Entreprises
Thetford Mines (Québec)
Canada G6H 4B2**

Toll Free

1 877-332-4224

Fax

1 866-460-4334

3/22/22