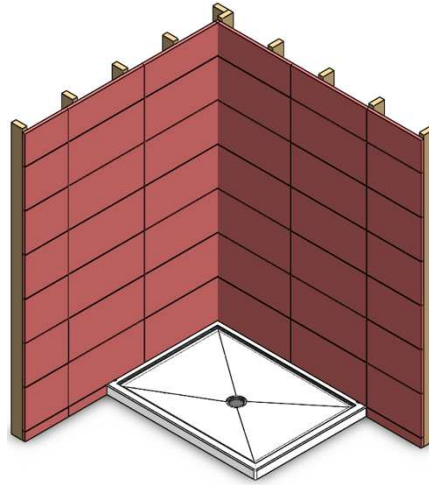


**Installation procedure for Shower bases
with aluminum tile flange (type X)**

For Warranty, please refer to our website:
www.oceania-attitude.com



Aluminum tile flange installation

1. Mark the center of the holes. Start by marking one at each end of the flange, at 1" from the edge, 3/8" from the bottom. Then mark the holes in between, about 10" from one another. The holes all have to be at the same height.



2. We recommend using a #5 center drill to pre-drill the holes, so they will automatically be chamfered. Using a 3/16" drill can also work however, the screw head will be more visible.

Pre-drill at the center of each mark until the chamfer is approximately 1/4". If you are using a 3/16" drill bit, just drill all the way through.



oceania.

3. Remove the metal burr left behind each hole using a pneumatic sander or a file.



4. Recommended Installation:

Apply construction adhesive along the flange, on the side where the holes are not chamfered, as well as on the edge that will be pressed against the top of the base. It is important to apply adhesive to both surfaces.

N.B. It is possible to substitute construction adhesive with bathroom silicone. However, Oceania Baths recommends the use of construction adhesive.



5. Place the flange on the base and secure it with clamps. Ensure that the flange aligns flush with the corner of the base to accommodate the other flange.



oceania.

6. Pre-drill the side of the base using a 1/8" drill bit, all the way through.



7. With the provided screws, secure the tile flange against the base. Do not tighten.



Repeat step 1 to 7 to install the other flanges. Make sure that all flanges rest on one another.

Once the installation is complete, make sure to fill all joints using silicone.



8. To finish up and make sure it is sealed properly, smoothen the silicone using your finger, on each side.

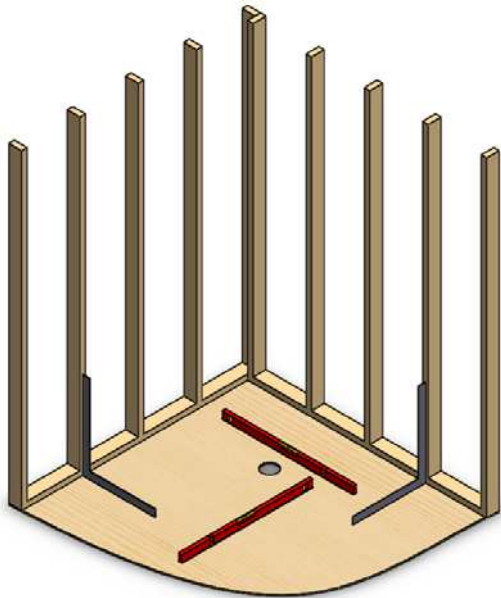
IMPORTANT : Allow the silicone to cure 24 hours prior to the installation of the shower base and doors



Shower base Installation

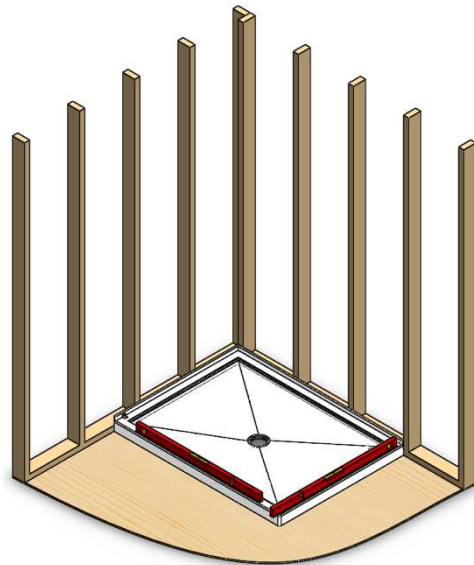
- The structure supporting your shower base must hold a minimum of 600 pounds (273 kg).
- This Guide is for a leveled floor. If the floor has more than 1/4 " (6 mm) of level difference or imperfections, level your floor or use concrete to secure the base. **NEVER INSTALL ON A HEATED FLOOR.**

9. The first step is the preparation of the installation surface. All walls and floor must form perfect 90° angles and should all be perfectly leveled. Check the drain position.

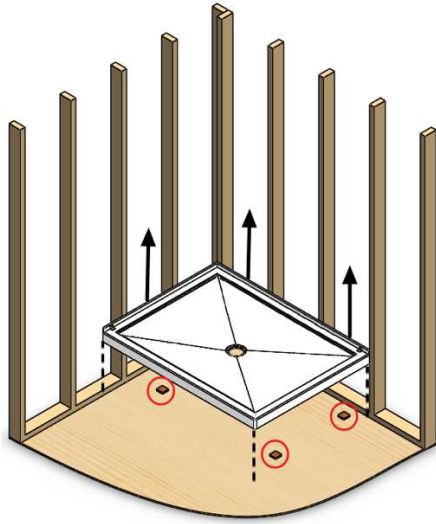


10. Temporarily install your shower base in its final position; use wood shims to ensure it is perfectly leveled. Make sure the shims are placed against rigid parts underneath the base.

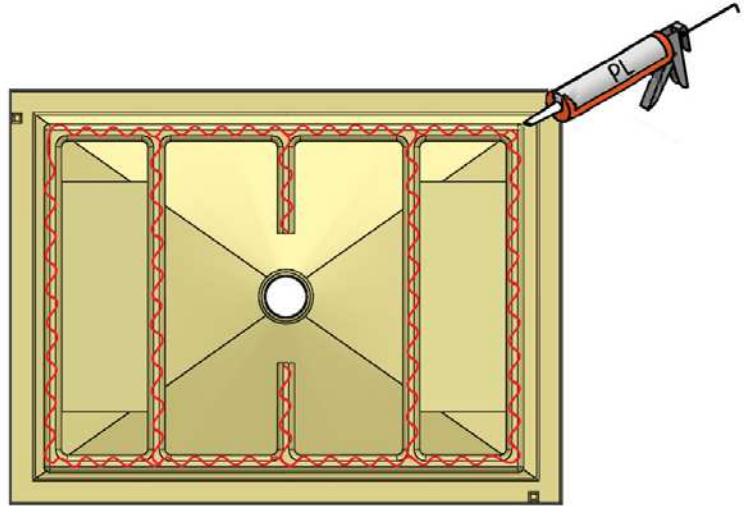
Visually inspect your shower base and proceed to a drainage test to ensure that water drains properly.



11. Carefully raise the base without moving the shims, which need to remain on the floor. Apply construction adhesive (PL type) on the shims. Install the drain at this step, if needed.

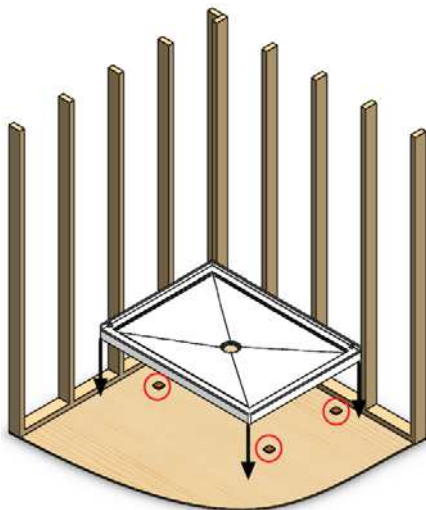


12. Apply construction adhesive (PL type) on all surfaces that will be in contact with the floor.

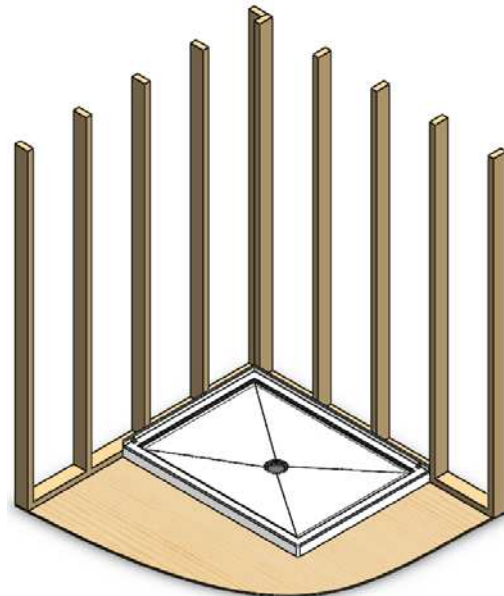


(View from underneath)

13. Reinstall the base in its final position. Slowly push the base to ensure it is sitting on the shims.

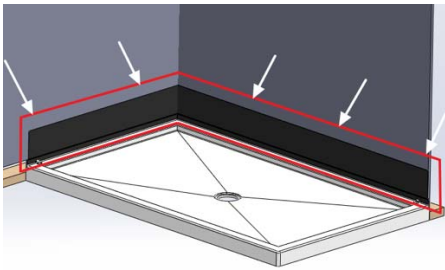


14. Let cure for 24 hours.

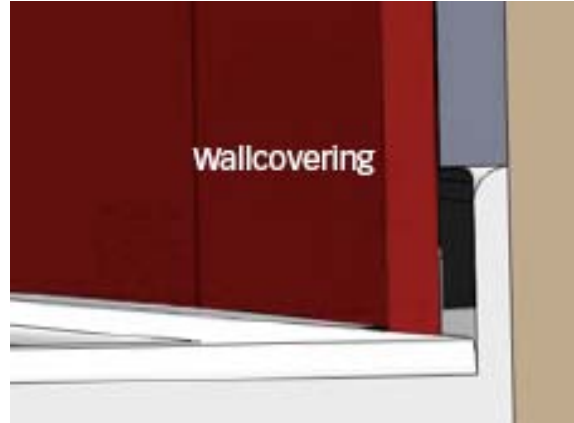


15. Install a waterproof membrane (not provided by Oceania) on the drywall and tiling flange. The membrane must be about 5" (127mm) in contact with the drywall and 1" (25.4mm) with the tiling flange. It is the responsibility of the installer to properly seal the junction between the drywall and the tiling flange.

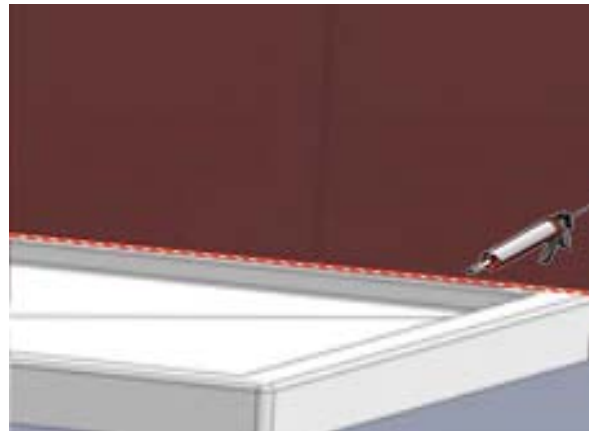
IMPORTANT: The tile flange MUST NOT be screwed to the wall.



16. Complete the wallcovering.



17. Once the ceramic is installed, apply a bead of silicone between the shower base and the wallcovering.



WARRANTY EXCLUSION

Oceania Baths cannot be held responsible for the flange installation on baths and shower bases unless they are already installed or embedded on products.

The flanges on baths and shower bases must be installed by a professional, and according to the building code or state regulations.

Oceania Baths cannot be held responsible for any breakage, damage, leakage, see page and other problem due to improper installation of this product and its flange.

In case of installation problems, Oceania Baths cannot be held responsible for any material damage and / or physical and / or loss of use.