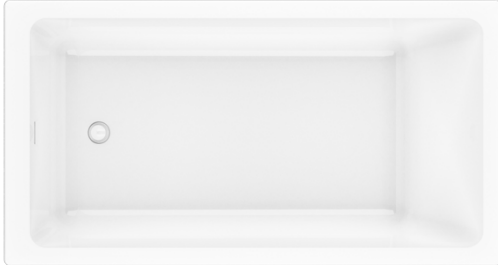


Installation Procedure for Deck-Mounted Bathtub



Serial Number:_____

Model Name:_____

Date of Manufacture:_____

Thank you for choosing an Oceania product for your project!

- For warranty details, please refer to our website: <http://www.oceania-attitude.com>.
- Ensure that the structure supporting your bathtub can withstand a minimum weight of 1,200 lbs (545 kg).
- Consult your local building codes to ensure the installation complies with regulations.
- Protect your product during installation.
- A professional plumber is required for the installation of the plumbing and the bathtub.

IMPORTANT:

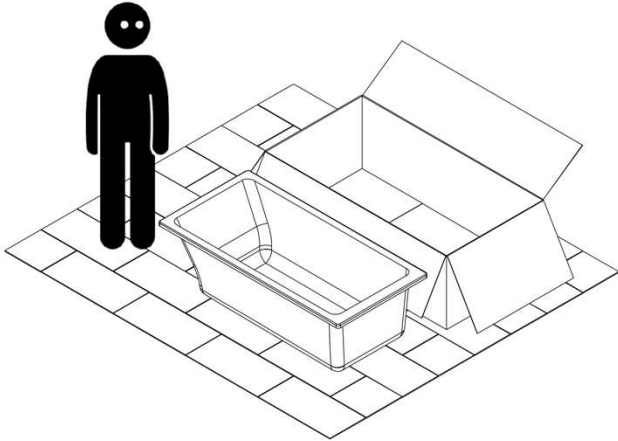
READ AND CAREFULLY FOLLOW ALL INSTRUCTIONS BEFORE INSTALLING THE PRODUCT.

1. **DANGER:** To reduce the risk of injury or drowning, do not allow children to use this product unless constantly supervised by an adult.
2. **CAUTION:** To avoid injury, exercise care when entering or exiting the bathtub.
3. **CAUTION:** Risk of accidental injury or drowning: Do not consume alcohol, drugs, or medication before or during the use of the bathtub.
4. **CAUTION:** Risk of electric shock: Keep electrical devices such as hair dryers, lamps, phones, radios, or televisions at least 5 feet (1.5 meters) away from the bathtub.
5. **CAUTION:** Risk of hyperthermia and possible drowning: Water temperatures above 100°F (38°C) can be hazardous to your health. Check and adjust the water temperature before using the bathtub.
6. **CAUTION:** Misuse of essential oils in high concentrations can irritate the skin and damage the bathtub's surface. Some brands of Wintergreen essential oils are known to damage acrylic surfaces.

1.

-Carefully unpack the bathtub and inspect it for any damage during transport.

-Pre-install all plumbing components (water inlet, drain, and overflow).



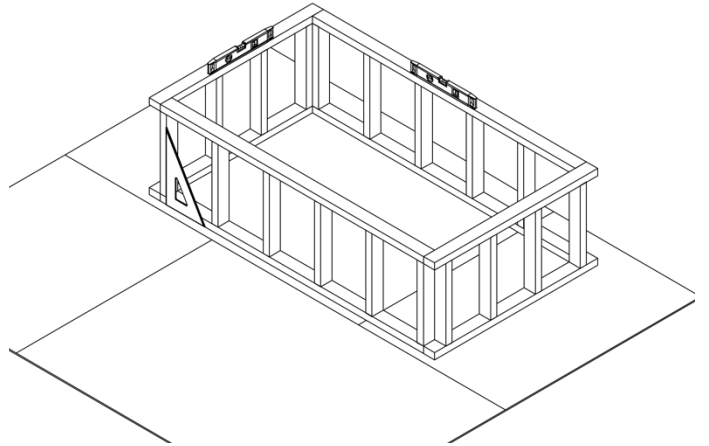
2.

-Build the structure to support the bathtub using 2" x 3" vertical studs and plywood for the sides and top (not included).

-Traditional deck-mount installation: Determine the height of the podium, taking into account the height of the bathtub and the thickness of the finishing material (marble, tile, granite, etc.). The bath should rest on its legs, not on the deck

-Plan an access panel to facilitate future maintenance.

For an undermount installation, see Step 6.

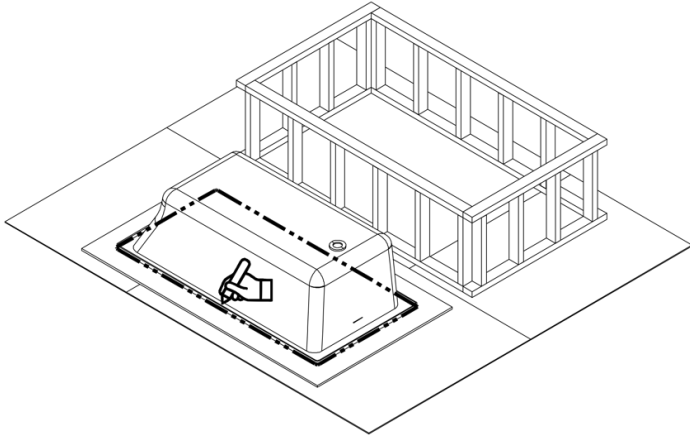


Note: Install the bathtub on a level floor and a properly squared podium. If the floor is sloped, the installer must make the necessary adjustments to ensure a level installation and proper water drainage.

oceania

3.

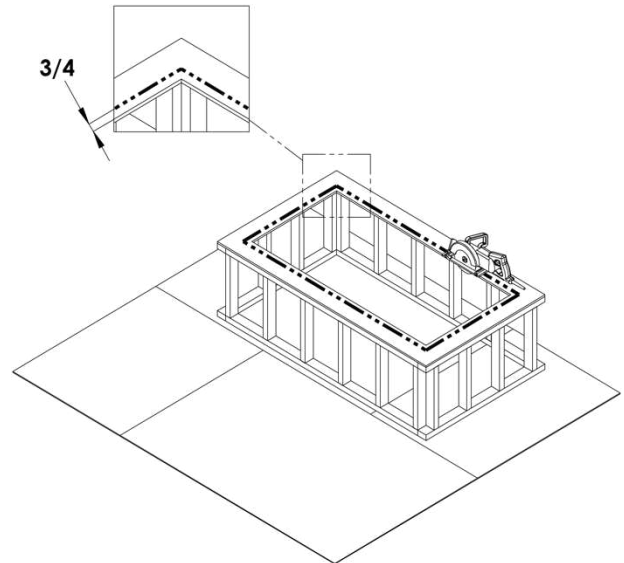
-Place the bathtub upside down on the plywood and trace its outline.



4.

-Cut the opening on the top of the podium to fit the bathtub by cutting 3/4" inside the traced outline.

Note: Always measure directly on the actual product before proceeding with the cut.



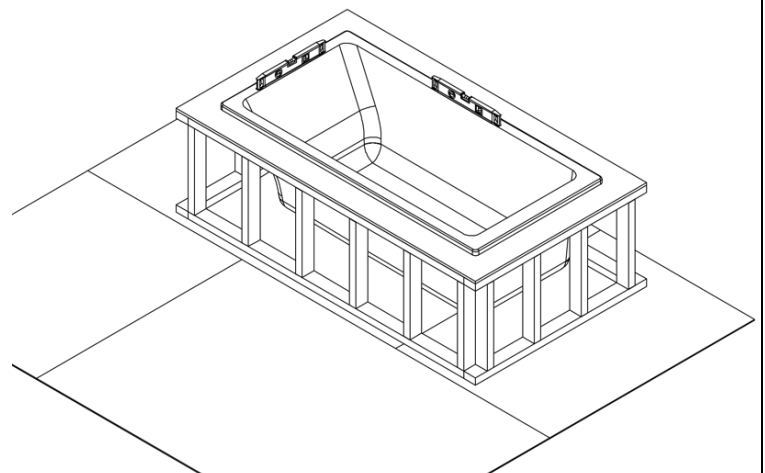
5.

-Insert the bathtub into the opening in its final position.

-Adjust the legs to level the bathtub perfectly. If the bathtub has wooden legs, use shims to compensate.

-Ensure that the bathtub rests on its four legs (minimum 1/16" clearance under the bath rim).

The top rim should not support the bathtub.

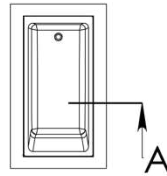


oceania

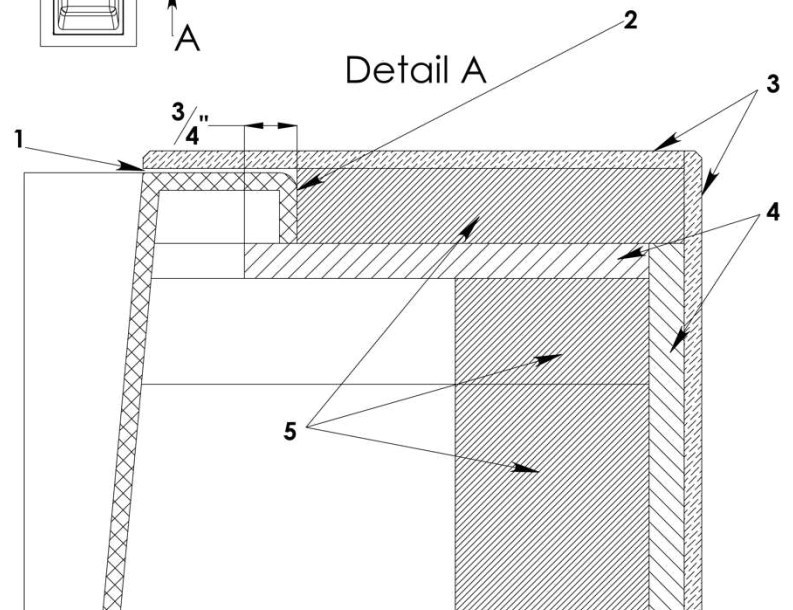
6.

-For an undermount installation:

Install an additional plywood structure at the same level as the bathtub's higher edge to support the finishing material (marble, tile, granite, etc.) and prevent it from resting directly on the bath.



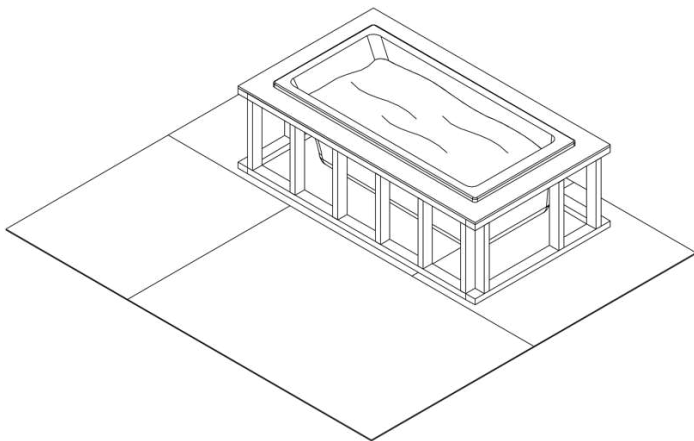
1. Space between bath and finishing material
2. Bath
3. Finishing material
4. Plywood
5. Structure



7.

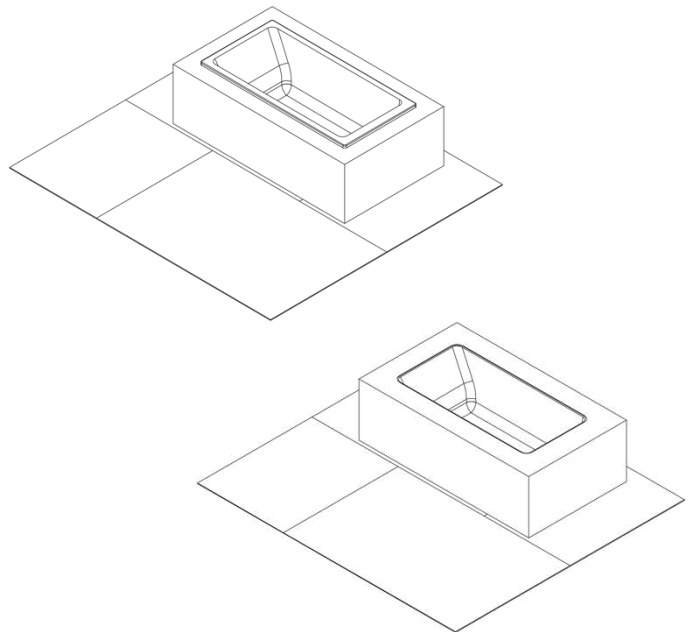
-Connect the plumbing components (overflow, drain, faucet) according to the manufacturer's instructions and local codes.

-Test the proper functioning of all components and the water drainage.



8.

-Cover the podium with the selected finishing material (marble, tile, granite, etc.).



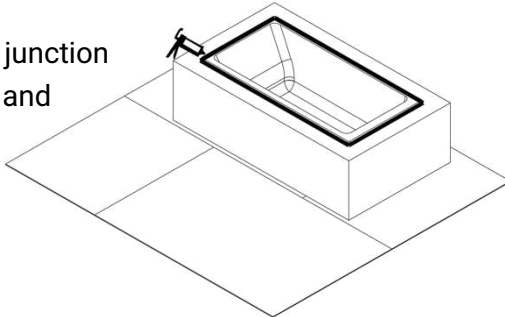
oceania

9.

-Apply a bead of silicone at the junction between the bathtub and the finishing material.

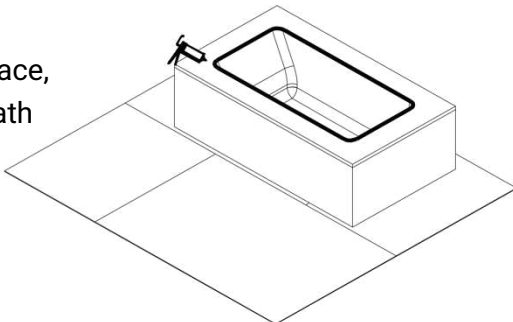
Deck-mounted

On deck, at the junction of the bath and finishing material.



Undermount

Under the surface, between bath and finishing material.



10.

-Allow the silicone to dry for 24 hours before use.

