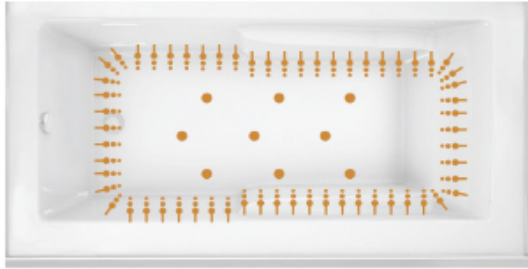


## Installation procedure for THERAPEUTIC BATHS

### AeroMassage™- Super AeroMassage™ Chromatherapy- Thermotherapy



Serial Number: \_\_\_\_\_  
Model Name: \_\_\_\_\_  
Date of Manufacture: \_\_\_\_\_

### **Thank you for choosing an Oceania product for your project!**

- For **WARRANTY** information, refer to our website: <http://www.oceania-attitude.com>
- The structure supporting your bathtub must withstand a **MINIMUM LOAD** of 1200 lbs (545 kg)
- Please **REFER** to the building code in effect in your area to ensure installation complies with applicable standards
- **PROTECT** your product during installation
- **WAIT** until the bathtub has been received before making any cuts (floor, podium, faucet, conduits); measurements must be taken directly from the product
- The services of a **QUALIFIED PLUMBER** are required for the installation of the plumbing and bathtub

### **IMPORTANT:**

READ AND CAREFULLY FOLLOW ALL INSTRUCTIONS BEFORE INSTALLING THE PRODUCT.

- **DANGER:** To reduce the risk of injury or drowning, do not allow children to use this product unless constantly supervised by an adult.
- **CAUTION:** To avoid injury, exercise care when entering or exiting the bathtub.
- **CAUTION:** Risk of accidental injury or drowning: Do not consume alcohol, drugs, or medication before or during the use of the bathtub.
- **CAUTION:** Risk of electric shock: Keep electrical devices such as hair dryers, lamps, phones, radios, or televisions at least 5 feet (1.5 meters) away from the bathtub.
- **CAUTION:** Risk of hyperthermia and possible drowning: Water temperatures above 100°F (38°C) can be hazardous to your health. Check and adjust the water temperature before using the bathtub.
- **CAUTION:** Misuse of essential oils in high concentrations can irritate the skin and damage the bathtub's surface. Some brands of Wintergreen essential oils are known to damage acrylic surfaces.

## **RULES TO FOLLOW FOR AIR-JET BATHTUBS**

1. **IMPORTANT:** This product must be connected **ONLY** to a **15 AMP/120 VOLT** power supply protected by a **Class A Ground Fault Circuit Interrupter (GFCI)**. The GFCI should be supplied by the installer and tested on a regular basis. To test the GFCI, press the "TEST" button. The GFCI should interrupt the power supply. Press the "RESET" button to restore power.  
If the GFCI does not operate as described, a ground fault is present, which could result in an electric shock. **Do not use the product. Disconnect it and have the problem corrected by a qualified electrician before use.**
2. **CAUTION – Risk of accidental injury or drowning:** Do not operate the bathtub system unless all suction covers are in place. These devices prevent body parts and hair from becoming trapped. Even when the suction covers are properly installed, pay special attention to long hair, which could be drawn into the system. **NEVER WASH YOUR HAIR WHILE THE SYSTEM IS RUNNING.**
3. Using the air-therapy system for the first time may cause a slight feeling of discomfort. Limit bathing time to **5–10 minutes** for the first few uses, then gradually increase as desired.
4. Never start the system unless all jets are completely submerged.
5. Building materials and electrical wiring must be kept away from the pump body, blower, or any other components that generate heat.

## **INSTALLATION INSTRUCTIONS**

**The services of a professional plumber and of an electrician are required for the installation of the bathtub and to hook up the therapeutic air system.**

1. The minimum structural strength required to support the unit is 1200 lbs, 545 kg (tub and water).
2. To avoid vibration problems, leave a small space of 1/16" between the podium (deck) and the bath lip, seal that space with silicone.
3. For units with tile flange, leave a **small space of 1/8" between the bath lip and the tiles** on the walls, seal that space with silicone.
4. The tub must be solidly supported at its base and leveled. **It should not be suspended by the bath lip.**
5. For units with one or many sided skirts, the bathtub must be entirely supported by the wooden feet or by the leveling legs. The skirt(s) should not touch the floor. Leave a small space of 1/8" between the skirt(s) and the floor. Seal that space with silicone.
6. Prepare the location of the tub, ensuring that all necessary connections (electrical and plumbing) are in place.
7. Check that the tub drain works normally as it should.
8. The bathtub must be properly cleaned of all installation debris before filling it up with water.
9. Before the final bathtub installation, check if the water drains properly.

### **FOR THERAPEUTIC AIR BATHS**

10. Never use a therapeutic air bathtub before final installation (including electrical wiring installation).
11. You must provide a space to let air go through, like a metal grid, to assure fresh airflow to the blower. This will avoid overheating problems. The warranty does not cover the costs for the replacement of a blower that overheated.
12. The free air space in the podium (deck) shall be minimum 13.31 cubic feet and is determined by multiplying the outside length (L), the width (W), and the height (H) (1 inch below the overflow) minus the maximum water capacity in cubic feet (1 inch below the overflow). Tip: 7.48 gallons US = 1 cubic ft.
13. Before finishing the installation of the tub, fill it and check for leaks in the pipe system (which may be caused by transportation, manipulation and/or installation) while it is still accessible.
14. Before closing the podium (deck), make sure that the blower and/or pump are working to ensure that the electrical connections are installed correctly.
15. The blower must be supplied with warm surrounding air and not with cold outside air. The blower should not be installed in a cool space where the temperature could drop below 68 F (20 °C).
16. Ensure that pump, blower and electronic control are accessible for future maintenance. An access panel of at least one square foot must be included in your deck plans. No repair under warranty will be made if no access panel is available.

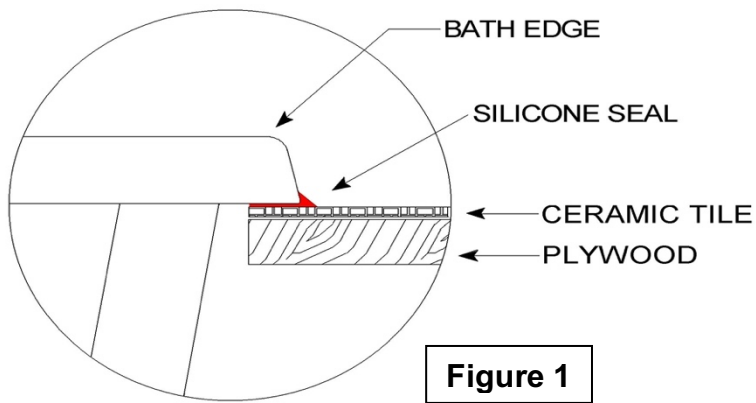
**NOTE: All repairs, if needed, should be done by a factory approved repairman. No periodic maintenance is required for the pumps, blowers or keypads.**

17. Never handle your bathtub by the piping. Do not rest your bath on the jets or pipes located underneath the bath. Be careful not to hit a wall, the deck or doorframe with the jets or pipes installed on the bath.
18. Before finishing the installation, be certain to clean the space under and around the bath to avoid the suction of debris by the blower inside the system.

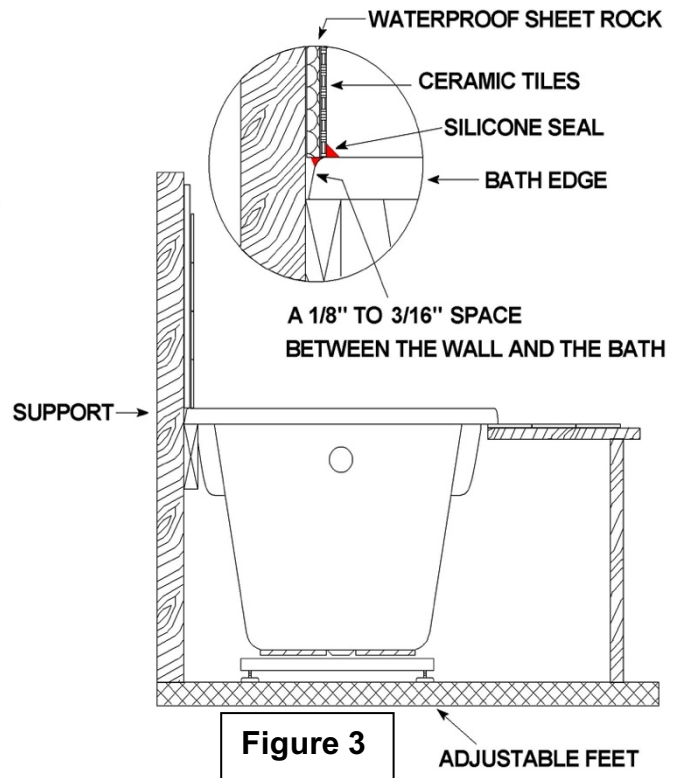
**Before finalizing the installation, it is important to test that the bathtub drains properly.** Check that there is no water on the bath edges and in the bottom of the bathtub.

NOTE: It is normal that a few small puddles remain. If the test is not done, this will invalidate the warranty.

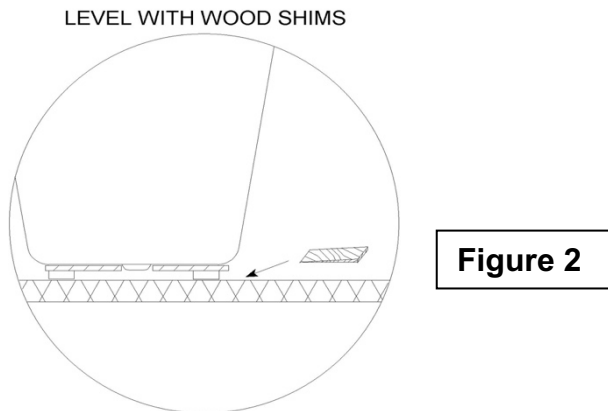
## INSTALLATION ON DECK :



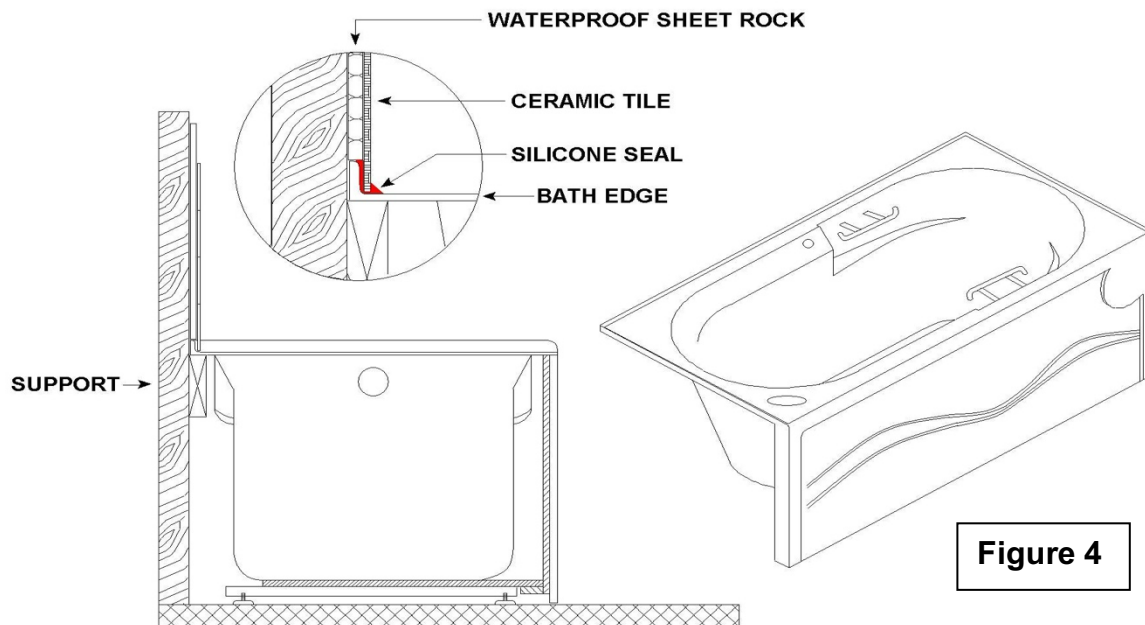
## INSTALLATION AGAINST A WALL



## INSTALLATION WITHOUT ADJUSTABLE FEET :



## INSTALLATION AGAINST A WALL WITH TILE FLANGE :



## **ELECTRICAL INSTALLATION**

**WARNING:** When using electrical products, basic precautions should always be followed, including the following:

- a) For Indoor use only.
- b) Install in accordance to Oceania Baths installation instruction.
- c) Use supply wires suitable for minimum 90°C.
- d) Use copper conductors only.
- e) **DANGER: RISK OF ELECTRIC SHOCK.** Connect only to a circuit protected by a ground-fault circuit-interrupter (GFCI) of Class A.
- f) Grounding is required. The unit should be installed by a qualified service representative and grounded.
- g) For all units, install to allow access for servicing.

**NOTE:** In some areas, local regulations may require that professionals carry out the electrical installation. For your own safety, respect these regulations.

1. Before starting the electrical installation, turn off all power supply.
2. The circuit should be connected permanently to the electrical panel. Never use an extension wire. The electrical installation must be permanent and in accordance with local regulations.
3. Each system of your bath (pump and blower) must be connected to an independent 15 amp, 120V electrical power supply protected by a ground fault circuit interrupter (GFCI) of no more than 15 amp, supplied by the electrician installing your bath. Regularly check the GFCI circuit breaker to be certain that it always works properly.
4. In order to reduce the risk of electrocution, all surrounding electrical installations must be properly grounded.
5. An equipment grounding terminal is provided in the field wiring compartment. To reduce the risk of electric shock, this terminal must be connected to the grounding means provided in the electric supply panel with a conductor equivalent in size to the circuit conductors supplying this equipment.
6. (For units in Canada) Install this unit in accordance with the Canadian electrical code, Part 1.
7. No wall timer is necessary with all of our systems; every system is equipped with an integrated 20-

# ELECTRICAL WIRING DIAGRAMS

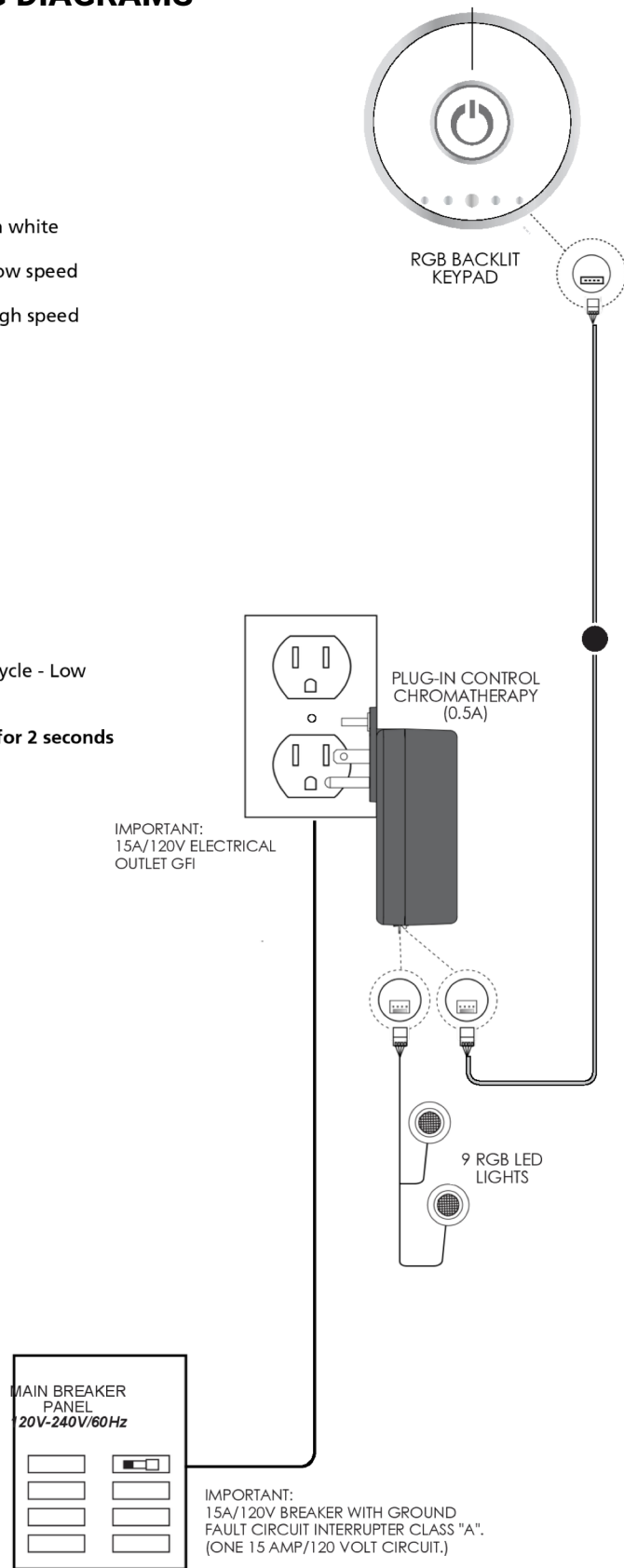
## oceania.

### CHROMATHERAPY (ONLY)

#### CHROMATHERAPY

- 1st Press: Turn on the light in white
- 2nd Press: Turn off the light
- 3rd Press: Rainbow cycle – Low speed
- 4th Press: Turn off the light
- 5th Press: Rainbow cycle – High speed
- 6th Press: Turn off the light
- 7th Press: Turquoise
- 8th Press: Turn off the light
- 9th Press: Blue
- 10th Press: Turn off the light
- 11th Press: Magenta
- 12th Press: Turn off the light
- 13th Press: Red
- 14th Press: Turn off the light
- 15th Press: Orange
- 16th Press: Turn off the light
- 17th Press: Yellow
- 18th Press: Turn off the light
- 19th Press: Green
- 20th Press: Turn off the light
- 21st Press: Back to rainbow cycle - Low speed

At any time, **press and hold for 2 seconds** to start and turn off.



# ELECTRICAL WIRING DIAGRAMS

oceania.

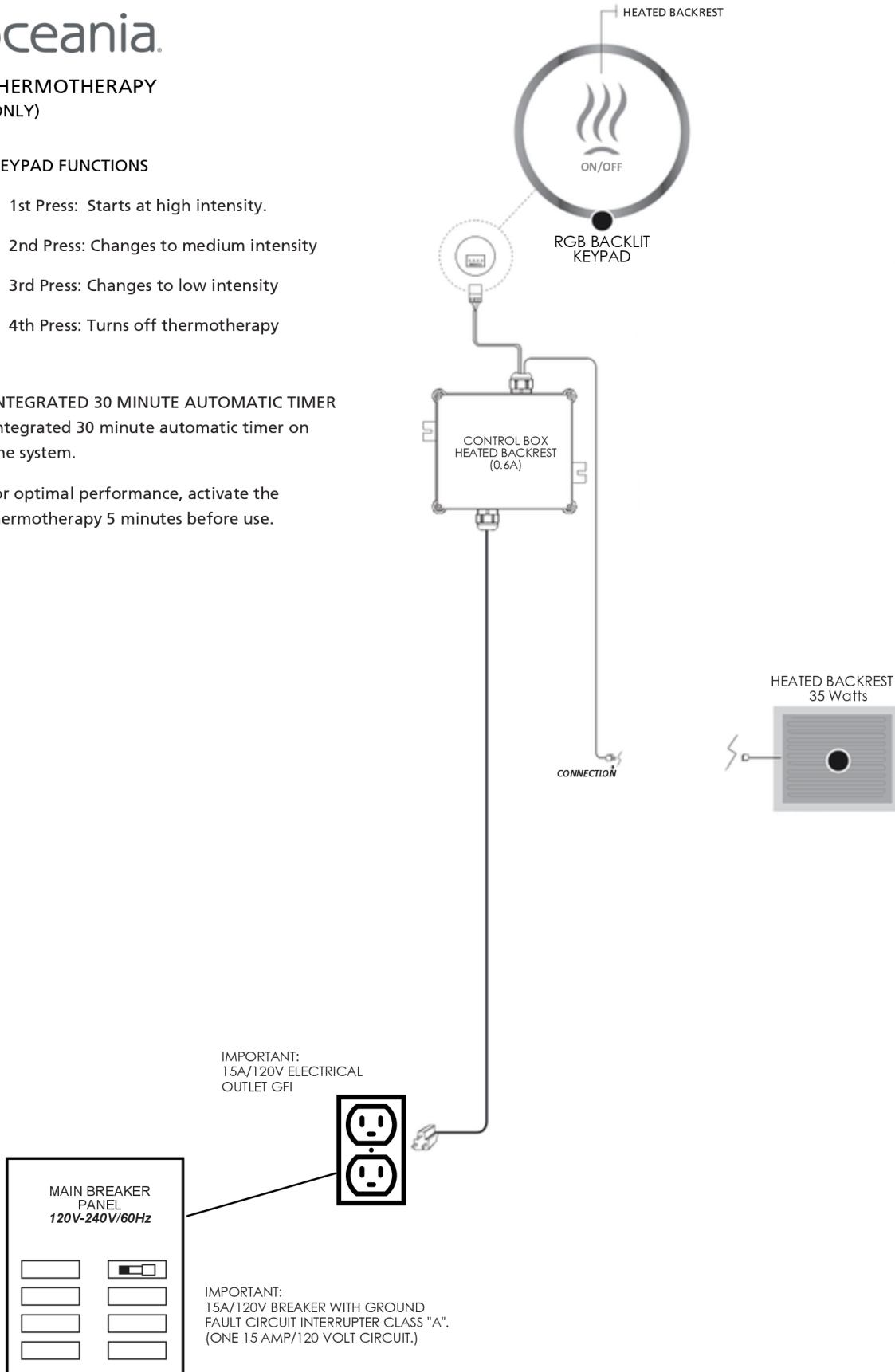
THERMOTHERAPY  
(ONLY)

## KEYPAD FUNCTIONS

- 1st Press: Starts at high intensity.
- 2nd Press: Changes to medium intensity
- 3rd Press: Changes to low intensity
- 4th Press: Turns off thermotherapy

INTEGRATED 30 MINUTE AUTOMATIC TIMER  
Integrated 30 minute automatic timer on the system.

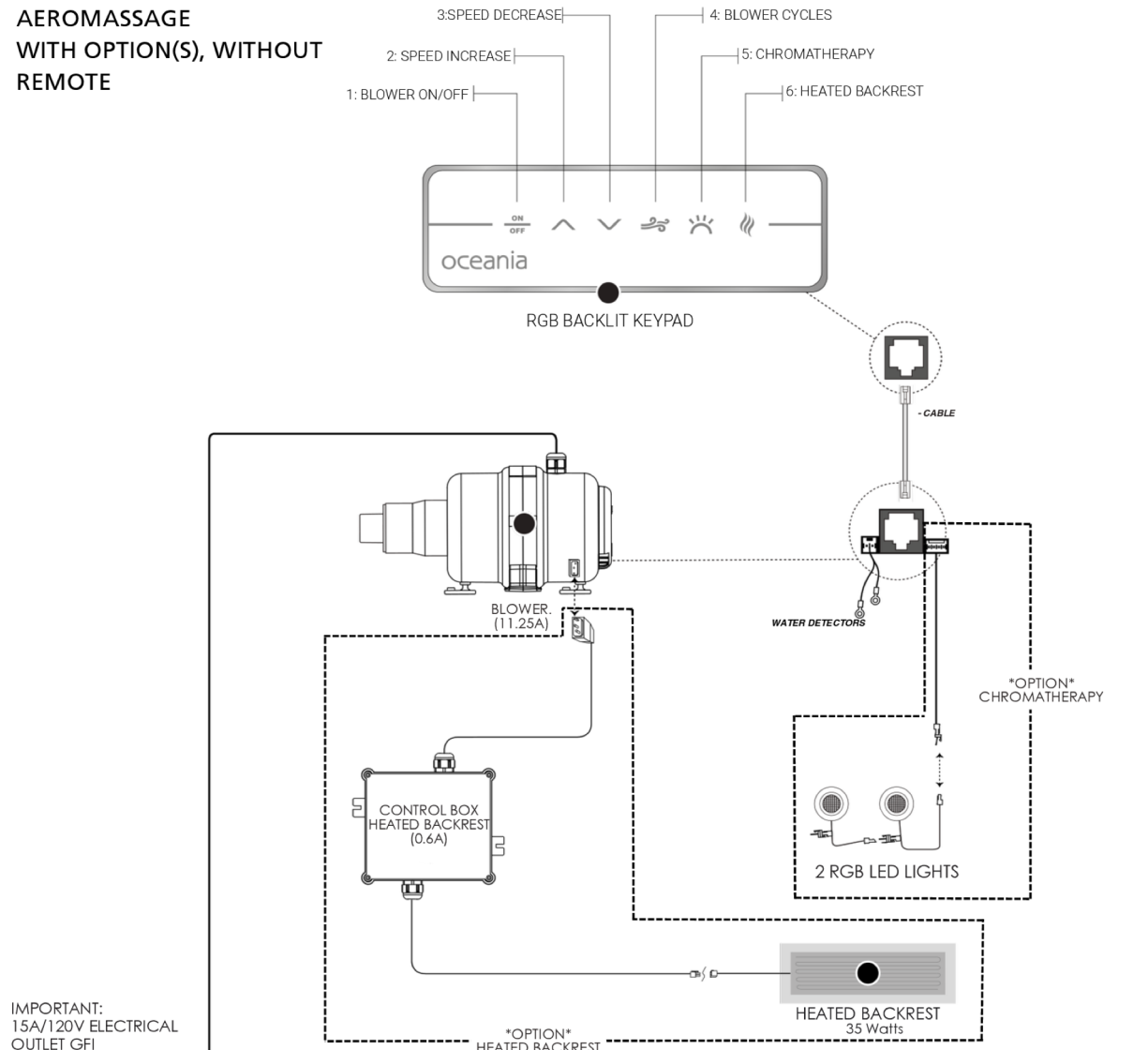
For optimal performance, activate the thermotherapy 5 minutes before use.



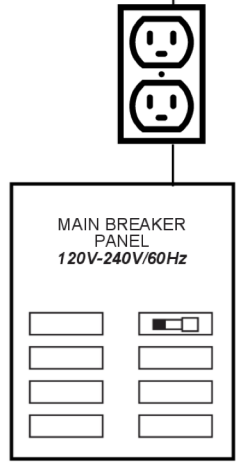
# ELECTRICAL WIRING DIAGRAMS

oceania.

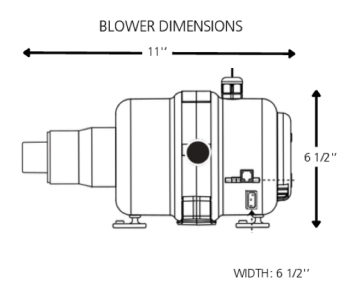
AIR JET SYSTEM  
 AEROMASSAGE /SUPER  
 AEROMASSAGE  
 WITH OPTION(S), WITHOUT  
 REMOTE



IMPORTANT:  
 15A/120V ELECTRICAL  
 OUTLET GFI



IMPORTANT:  
 15A/120V BREAKER WITH GROUND  
 FAULT CIRCUIT INTERRUPTER CLASS "A".  
 (ONE 15 AMP/120 VOLT CIRCUIT.)



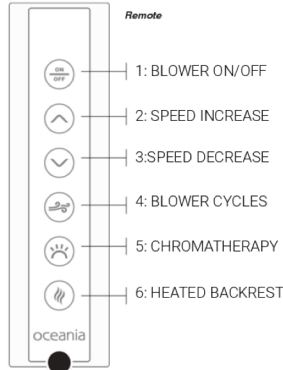
# ELECTRICAL WIRING DIAGRAMS

oceania.

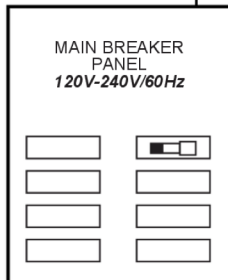
## AIR JET SYSTEM AEROMASSAGE /SUPER AEROMASSAGE WITH OPTION(S) AND REMOTE

### REMOTE SYNCHRONIZATION

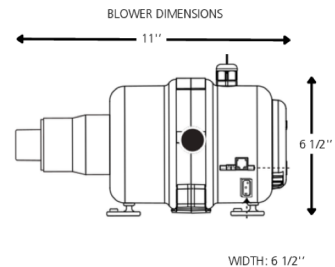
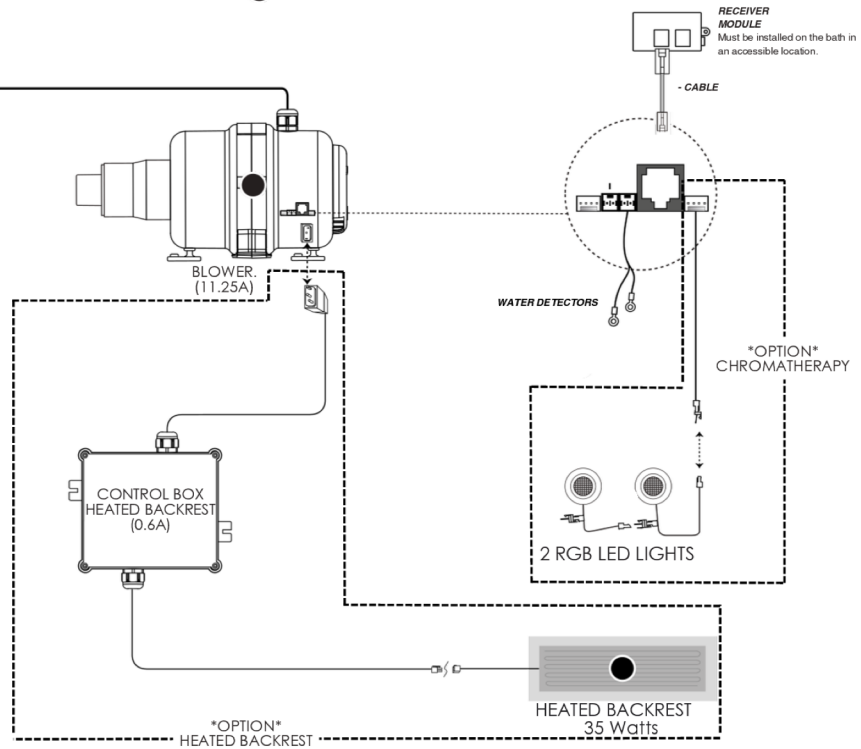
1. Once the system is connected, synchronize the remote with its receiver module.
2. Turn the system's power off, then back on.
3. You now have 15 seconds to complete the synchronization.
4. Press and hold buttons 2 and 3 simultaneously for 4 seconds. Wait 20 seconds.
5. The remote is now ready to use.
6. If synchronization fails, repeat from step 2.



IMPORTANT:  
15A/120V ELECTRICAL  
OUTLET GFI



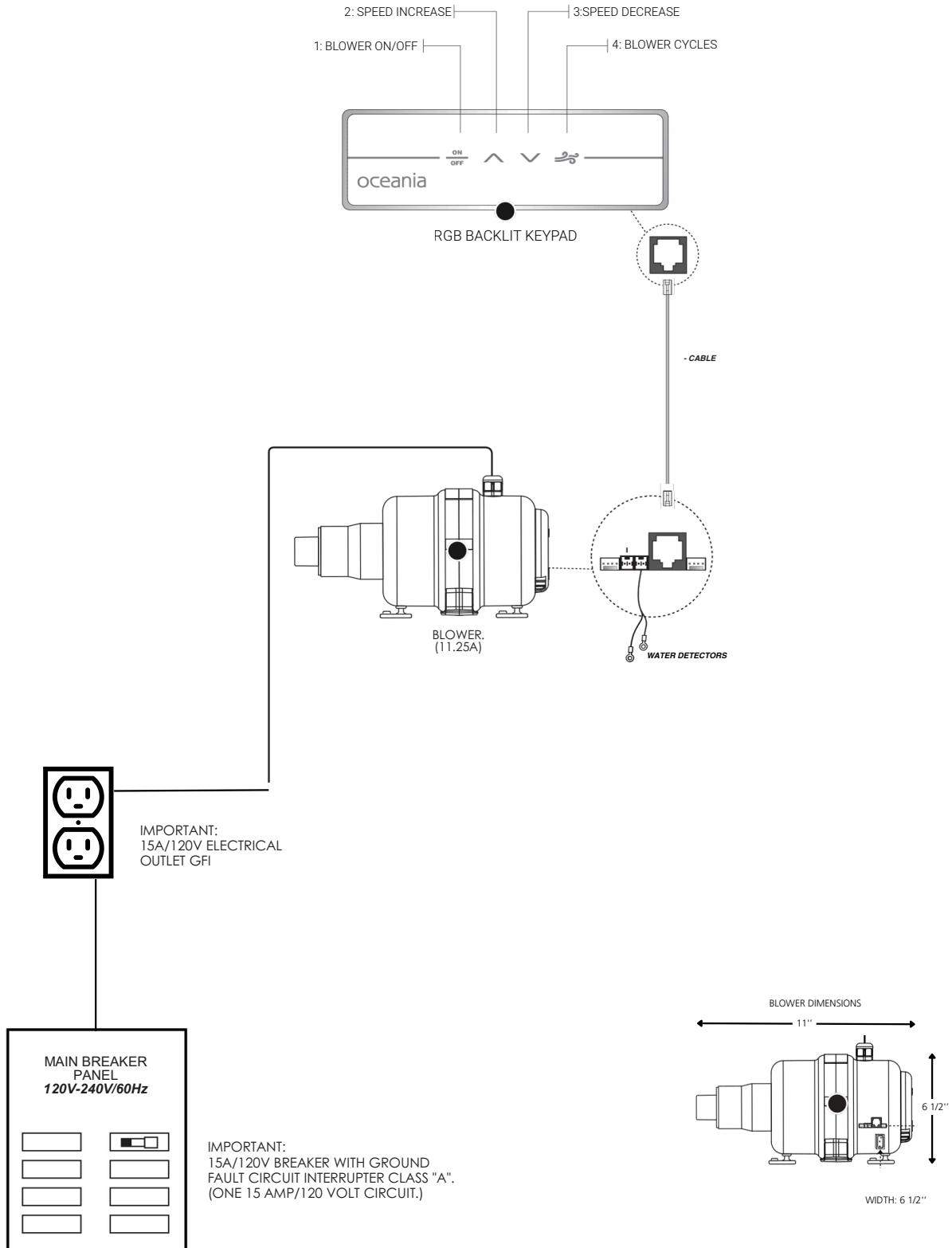
IMPORTANT:  
15A/120V BREAKER WITH GROUND  
FAULT CIRCUIT INTERRUPTER CLASS "A".  
(ONE 15 AMP/120 VOLT CIRCUIT.)



# ELECTRICAL WIRING DIAGRAMS

## oceania.

AIR JET SYSTEM  
AEROMASSAGE /SUPER AEROMASSAGE,  
WITHOUT REMOTE



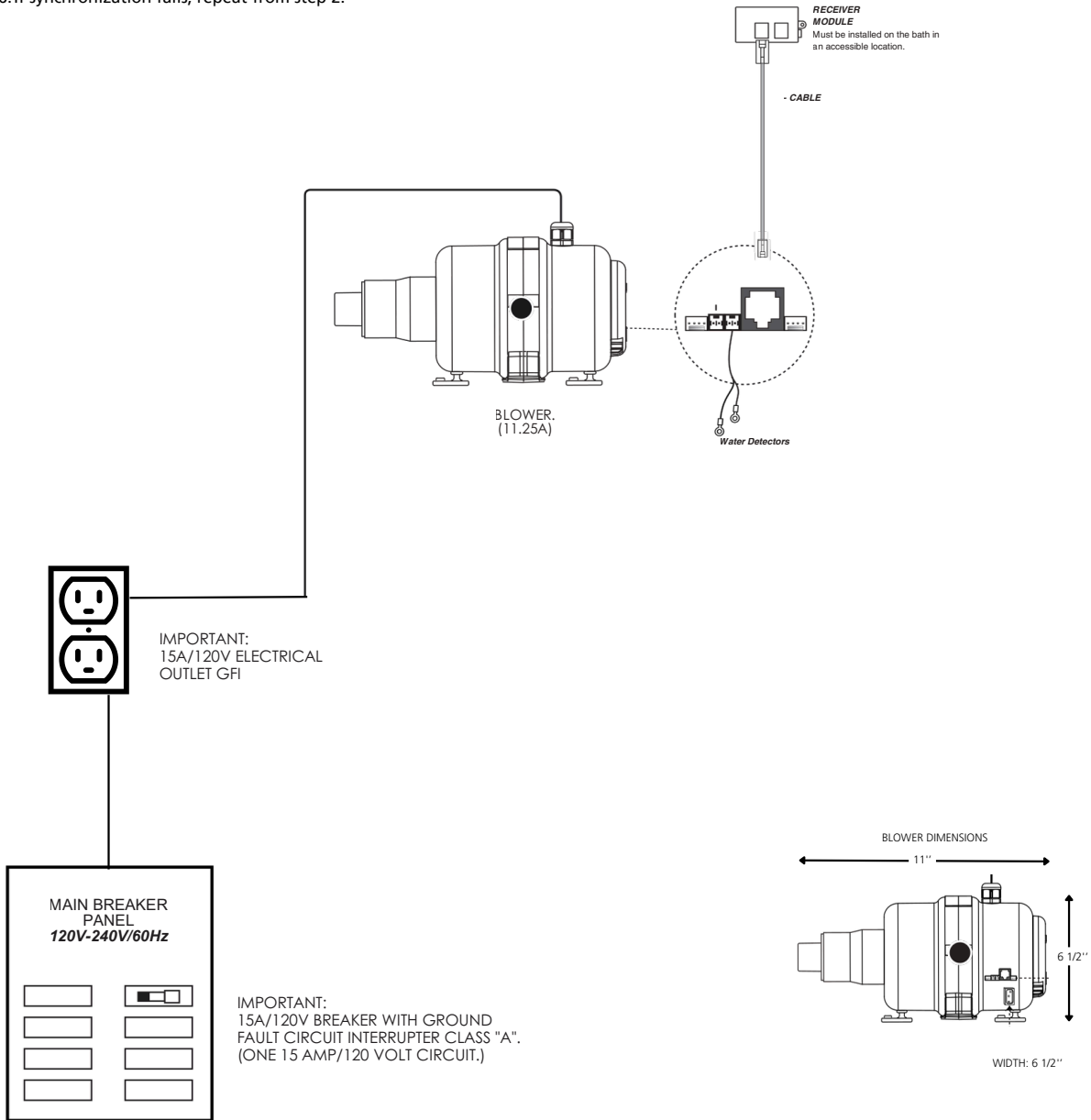
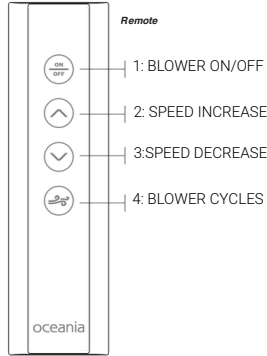
# ELECTRICAL WIRING DIAGRAMS

oceania.

AIR JET SYSTEM  
AEROMASSAGE /SUPER AEROMASSAGE,  
WITH REMOTE

## REMOTE SYNCHRONIZATION

1. Once the system is connected, synchronize the remote with its receiver module.
2. Turn the system's power off, then back on.
3. You now have 15 seconds to complete the synchronization.
4. Press and hold buttons 2 and 3 simultaneously for 4 seconds. Wait 20 seconds.
5. The remote is now ready to use.
6. If synchronization fails, repeat from step 2.



---

## REMOTE BLOWER INSTALLATION

(WHEN REQUIRED IN THE SPECIFICATION SHEET OR AS NEEDED)

If you need to relocate the blower follow these instructions. Failure to follow these instructions could result in serious personal injury or and/or property damage. Failure to follow these instructions will void the warranty. Oceania Baths cannot be responsible for any damage, loss, cost, expense or liability relating to failure to follow these instructions.

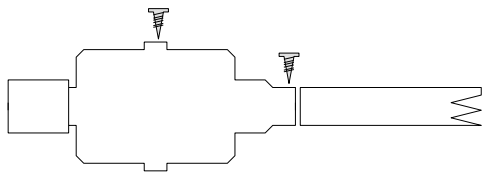
### LOCATION:

Choose a location not requiring more than 12 ft. (3.66 m) of piping. Limit the number of 90° elbows to 2. If there are more than 2 turns, use 45° elbows for all directional changes, limit directional changes to a minimum. Choose the shortest possible distance between bath and blower to maintain the system's performance. Sufficient space and ventilation are necessary around the blower for proper air circulation.

**NOTE:** Ambient air temperature should be between 72°F (20°C) and 86°F (30°C). Easy access to blower must always remain possible for servicing.

### BLOWER INSTALLATION:

Blower may be relocated in either a vertical or a horizontal position. Use only 1 1/2" (3.8 cm) ABS or PVC non-flexible pipes and adaptors to extend air line; the use of flexible pipes is not recommended (except when factory installed). Whenever possible,



use two 45° elbows to change the direction of your piping. All air line pipe connections should be glued together except for the connection to the blower which is secured in place with a screw (fig 1).

The blower must be mounted at least 4" (10 cm) from the floor. Your bath is delivered with a 12 ft. (3 m) cord to connect the electronic keypad and water detectors to the blower.

### FOLLOW THESE STEPS:

- 1) Turnoff power supply to the bathtub. DANGER-make certain that all power to the bathtub has been turned off. Try turning on the blower to make certain that it does not start up.
- 2) Disconnect power supply to the blower. Unplug the keypad wire and the water detector wire from the blower.
- 3) With a screwdriver remove the screw holding the 1 1/2" ABS pipe to the blower and the screw holding the blower to the bathtub.
- 4) Move the blower to its new position and fasten with 2 screws.
- 5) Reconnect the keypad wire and water detector wire to the blower.
- 6) Reconnect your power supply.
- 7) Turn on the blower with the keypad and test that all the buttons are working properly.
- 8) Install piping according to the blower installation instructions above. Do not glue the pipe to the blower. Use a screw to hold the pipe in place.

**NOTE:** It is possible to fish the wires in the newly installed pipe. Drill a hole 6" from the blower and 1" from the end under the bath. Pass the wires and close the holes with some silicone.

It is recommended not turning on the blower for 12 hours after the pipes have been glued together.

---

## **How to Use the Therapeutic Air System**

1. The massage provided by the Therapeutic Air System depends on the number of tiny air bubbles running over your skin. The more bubbles you have, the more you feel the intensity of the massage penetrating deeply into your muscles.
2. The tub must be properly cleaned before use.
3. Your bathtub is equipped with a variable speed blower and an electronic control.
4. Fill your therapeutic air bath at least to submerge the holes on the side of your bathtub. There is no risk to damage the air blower but it will prevent water from being splashed.
5. The therapeutic air system comes with an automatic cleaning feature that completely dries all pipes and channels and guarantees optimal hygiene (see "How the Drying Cycle Works" section on this page for more details).
6. The blower can be relocated up to 12 feet from the bath. Ask your dealer for more information on blower relocation. Please note that it is normal to hear the blower working.
7. All of our blowers are equipped with an integrated thermal protection that may turn off the blower, if the internal blower temperature is too hot. Wait for at least 30 minutes before using the system again.

## **How the Drying Cycle Works**

Your new bathtub equipped with a therapeutic or combo system is also equipped with a sophisticated sanitizing/drying cycle that assures you the highest level of hygiene for your bathtub system components. In the following points, discover how this sanitizing/drying system works.

- a) The sanitizing/drying cycle automatically starts the blower for about two minutes during which hot air is blown through the air system, drying the entire air system. Let this automatic cycle complete this sanitizing/drying phase. Do not manually shut off this cycle, it will automatically start again 13 minutes later.
- b) The electronic control of your system is designed to start an automatic sanitizing/drying cycle 13 minutes after the blower has been turned off.
- c) The electronic control of your system is also designed to start an automatic sanitizing/drying cycle 40 minutes after water is detected in the bathtub and the keypad was not used. For example, if you take a 15 minutes bath (without using the system), the sanitizing/drying cycle will start 25 minutes after the bath, which is 40 minutes after water detection. The sanitizing/drying cycle will start over every 40 minutes until the bathtub system pipes are completely dry.
- d) After the purge, the electronic control verifies to make certain that the air system is dry. If any humidity is detected the 2 minutes sanitizing/drying cycle will repeat later on.
- e) The purge cycle may start for no apparent reason: It is normal for the sanitizing/drying cycle to occasionally start on its own, even if you haven't used the bathtub for hours, even days. This is due to a high humidity detected in the system of your bathtub. To ensure maximum hygiene, the electronic control is designed to detect excessive humidity and start the sanitize/dry cycle automatically.

## **MAINTENANCE**

1. The acrylic of your new bathtub has a glossy finish. In order to preserve this finish, never use abrasive cleaners containing scouring powder (ex. Ajax, Vim, etc), steel wool, acetone (nail polish remover), dry cleaning fluid, window-cleaning products, and ammonia compound, paint thinner, mineral or benzene oil on the acrylic surface, the jets and the handles of your bath.
2. Clean your bath once a week using a soft sponge or cloth with a liquid detergent (ex. Fantastik Original, Hertel, Simple Green, Greased Lightning, Mr Clean, etc.) and warm water. Make certain the product is recommended for use on acrylic by the manufacturer (see product label).
3. Remove grease, oil, paint or ink stains using isopropyl alcohol. Rinse well and dry using a soft, clean cloth.
4. Mineral deposits and soap films can develop on your bathtub accessories. Regular cleaning is recommended, using mild liquid soap and, if needed, a Teflon scrubbing pad.
5. For small scratches or deeper scratches, and/or any other considerable break, please contact us for advice on how to proceed and/or an acrylic repair specialist referral.
6. You may use bubble baths, bath salts and bath oils just like in an ordinary bathtub, but in smaller amounts, without causing any damage to the pump, the blower or the piping system. The therapeutic effect, combined with a bubble bath, may cause excessive bath foam. Use less of any foaming agent when taking a therapeutic or hydromassage bath.
7. After using bath salts and/or oils, you need to refill your bath up to 2" above the highest jet with cold water, and start the system(s) for 2 or 3 minutes in order to rinse all residues that may still be inside the system.
8. Systeme regular cleaning: It is recommended to perform this maintenance quarterly.
  1. Fill the bathtub with hot water up to 2" (5 cm) above the highest jet.
  2. In a separate container, dissolve 2 to 3 teaspoons of baking soda or powdered dishwasher detergent, along with up to 4 oz (113 ml) of household bleach. Add the solution to the bathtub water.  
(CAUTION: Excessive amounts of bleach may damage the bathtub surface.)
  3. Run the system for 30 seconds, then stop for 1 minute. Repeat this cycle 5 to 10 times.
  4. Drain the bathtub and refill it with cold water above the jets. Run the system for 30 seconds, then stop.
  5. Drain the bathtub completely and wipe it dry.

## **TROUBLESHOOTING YOUR THERAPEUTIC AIR SYSTEM**

### **Blower fails to operate:**

1. Check electric power supply. Reset the circuit breaker or replace the fuse if necessary.
2. Verify that the electronic keypad is properly connected.
3. Check the ground fault circuit interrupter. Reset it if tripped.
4. If the system has been running for a long period, it is possible that the integrated thermal protection has turned off the blower. Wait for at least 30 minutes before using the system again.
5. You must provide a one square foot (minimum) air vent that will let air go through, like a metal grid, to assure a fresh airflow to the blower.
6. The free air space in the podium (deck) shall be minimum 13.31 cubic feet and is determined by multiplying the outside length (L), the width (W), and the height (H) (1 inch below the overflow) minus the maximum water capacity in cubic feet (1 inch below the overflow). Tip: 7.48 gallons US = 1 cubic ft.

### **Motor runs but no air comes out of the jets:**

1. Verify that main air pipe from manifold to blower is properly connected. If necessary, reconnect it and tighten the screw.
2. The air intake is blocked with debris.
3. No air intake panel was installed and not enough air is available for the blower. Install an air intake panel.

### **The air heater does not seem to be working:**

1. If your tub is installed against two outside walls, it is recommended to adequately insulate these outside walls to minimize heat loss.
2. The blower must be supplied with warm surrounding air and not with cold outside air. The blower should not be installed in a space where room temperature could drop under 68 F (20 °C).
3. People with sensitive skin might experience a cold air effect, caused by the tiny air bubbles running over their wet skin, causing the bather to shiver. Please note, when the system is started, the blower uses the warm surrounding air; after a few seconds, the heating element, heats this room temperature air and should eliminate the cold air sensation.
4. You can check if the air injected into the bath is hot by touching the black air pipe under the bath.

**WARNING : Never take a bath with water temperature over 38°C (100F). If you take very hot baths, the air injected into the bath may seem cool. This cool sensation is caused by the difference of the warm air temperature and the hot skin temperature. The hotter the water, the cooler the air will seem.**

**The air heater is not designed to heat nor cool the water in the bathtub, it's designed to heat the air injected into the bath, to a temperature near your normal body temperature.**

### **The blower starts on its own:**

1. Your bathtub is equipped with a sophisticated sanitizing/drying system that assures you the highest level of hygiene. The electronic control of your system is designed to start an automatic sanitizing/drying cycle 13 minutes after the blower has stopped or 40 minutes after water detection in your bathtub. For about two minutes, hot air is blown through the system. Let this automatic cycle complete the drying phase. Do not manually turn off this cycle; it will start again 13 minutes later. **Refer to "How the Drying Cycle Works" in the Operation section of this manual on page 17.**
2. **The purge cycle may start for no apparent reason:** It is normal for the sanitizing/drying cycle to occasionally start on its own, even if you haven't used the bathtub for hours, even days. This is due to a high humidity detected in the system of your bathtub. To ensure maximum hygiene, the purge cycle is designed to detect excessive humidity and start the sanitize/dry cycle automatically.